

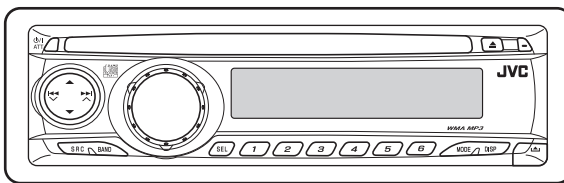
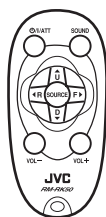
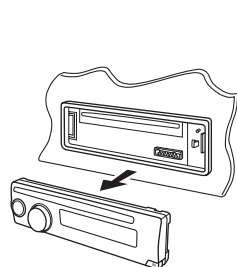
JVC

SCHEMATIC DIAGRAMS

CD RECEIVER

**KD-AR370J, KD-G320J, KD-G421E
KD-G421EX, KD-G421EY, KD-G421EU
KD-G424UI, KD-G425UT, KD-G425UH
KD-G425UN, KD-G425U, KD-G427EE**

CD-ROM No.SML200601



**WMA
MP3**



Lead free solder used in the board (material : Sn-Ag-Cu, melting point : 219 Centigrade)

Contents

Block diagram	2-1
Standard schematic diagrams	2-5
Printed circuit boards	2-29 to 31

Safety precaution

 **CAUTION** Burrs formed during molding may be left over on some parts of the chassis. Therefore, pay attention to such burrs in the case of performing repair of this system.

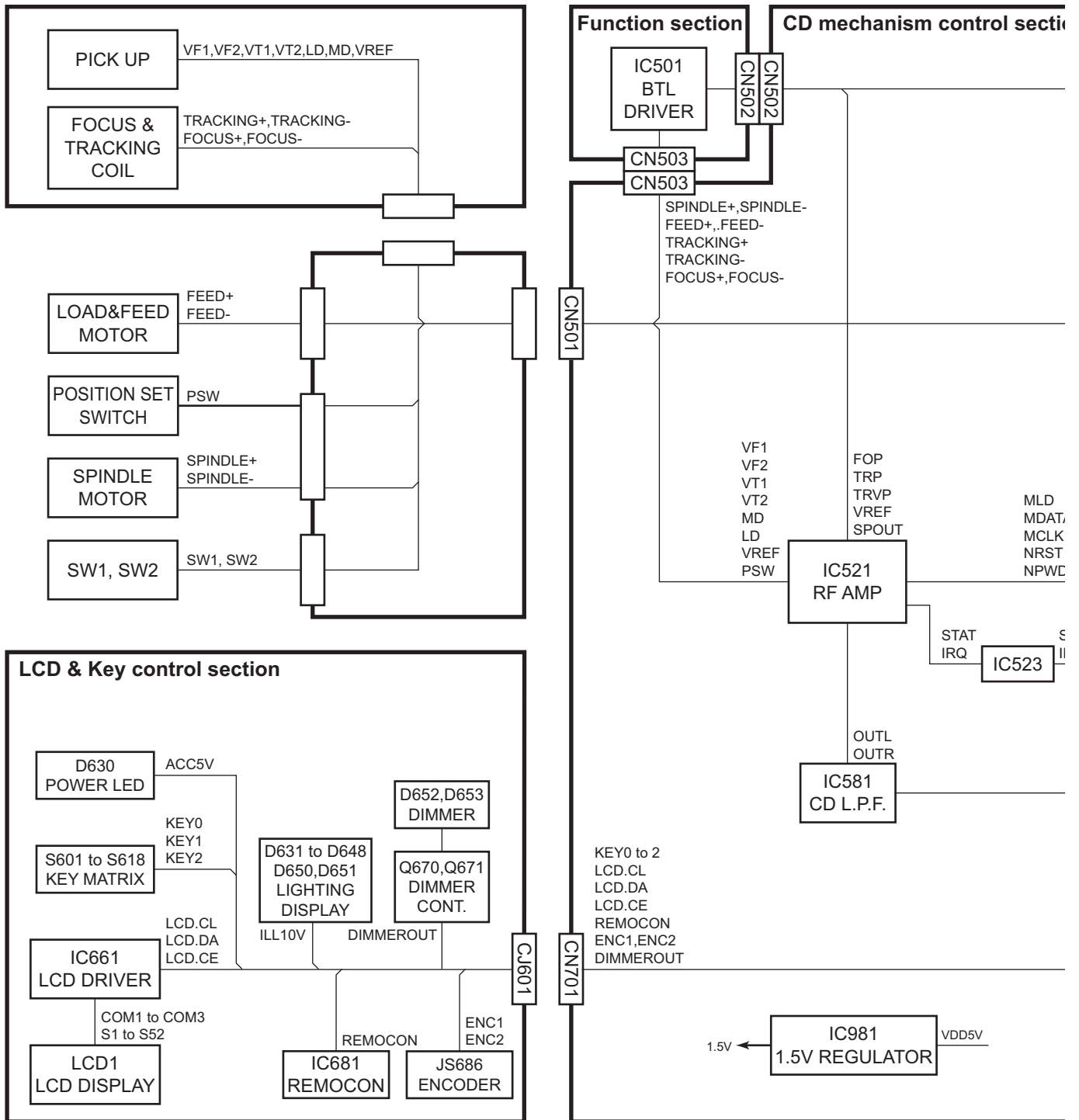
 **CAUTION** Please use enough caution not to see the beam directly or touch it in case of an adjustment or operation check.

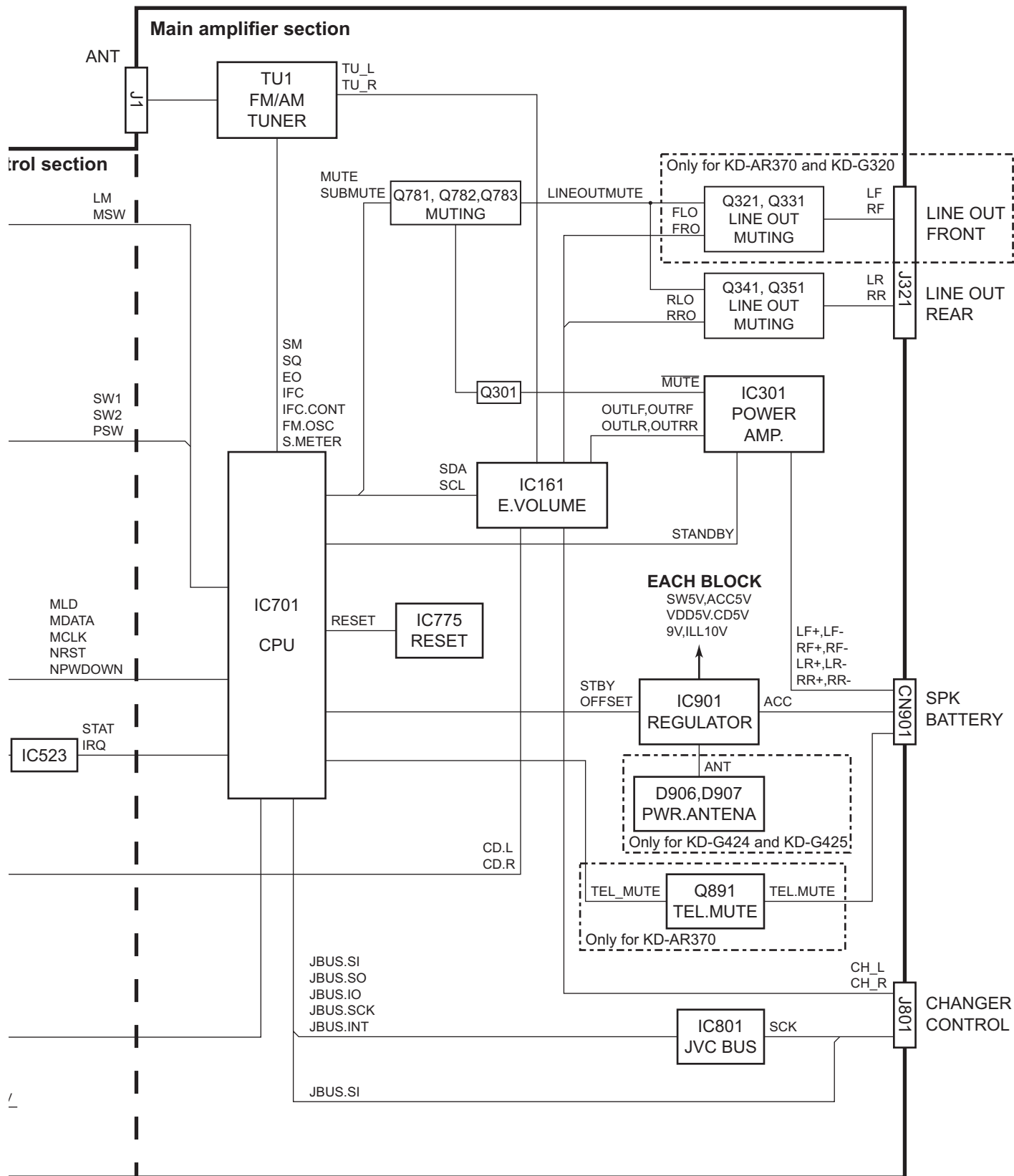
DIFFERENT POINT

	KD-AR370	KD-G320	KD-G421	KD-G424	KD-G425	KD-G427
	YES	YES	NO	NO	NO	NO
	YES	YES	NO	NO	NO	NO
	NO	NO	YES	NO	NO	YES
REMOTE CONTROLLER	YES	YES	NO	YES	YES	YES

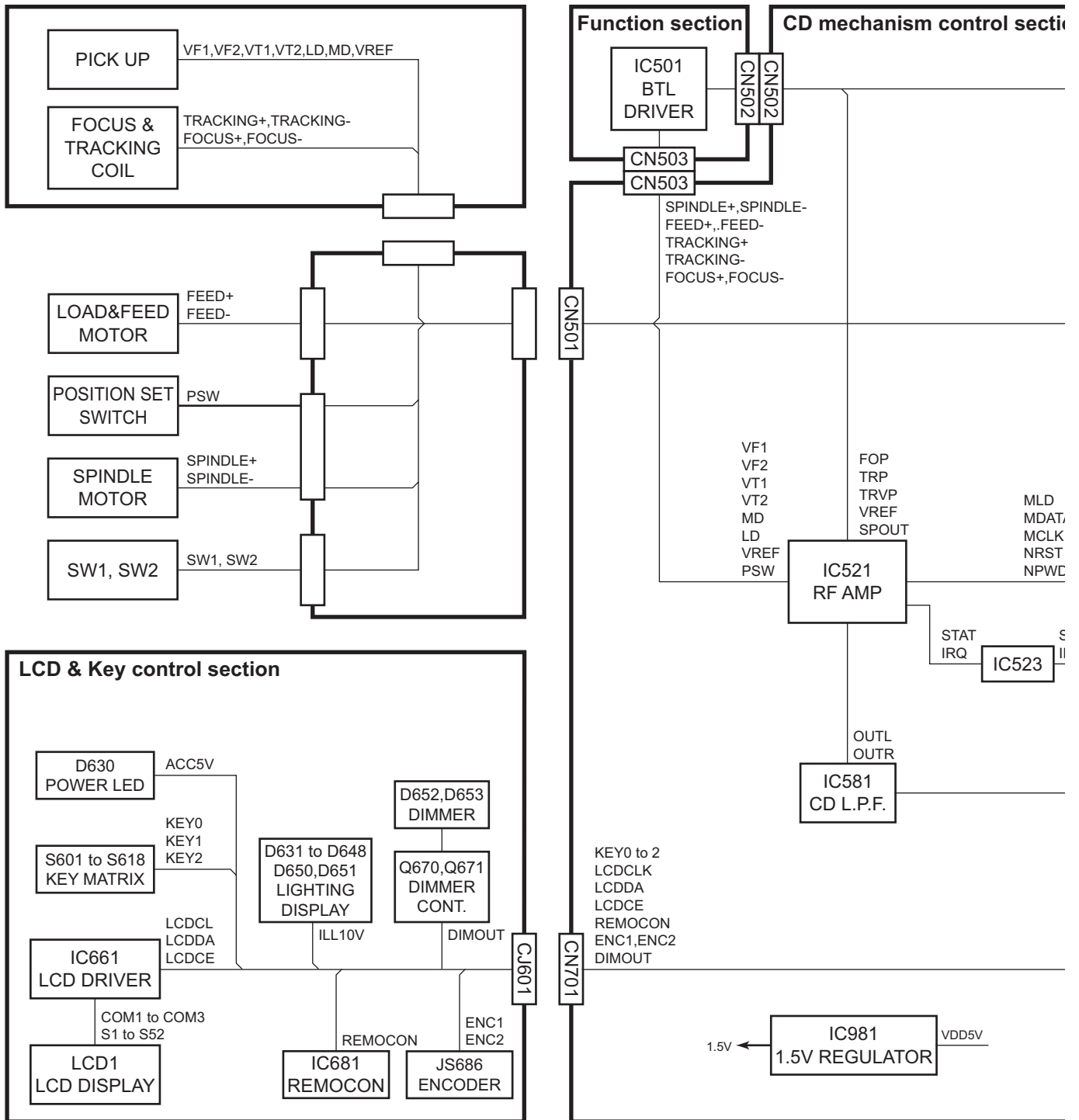
< MEMO >

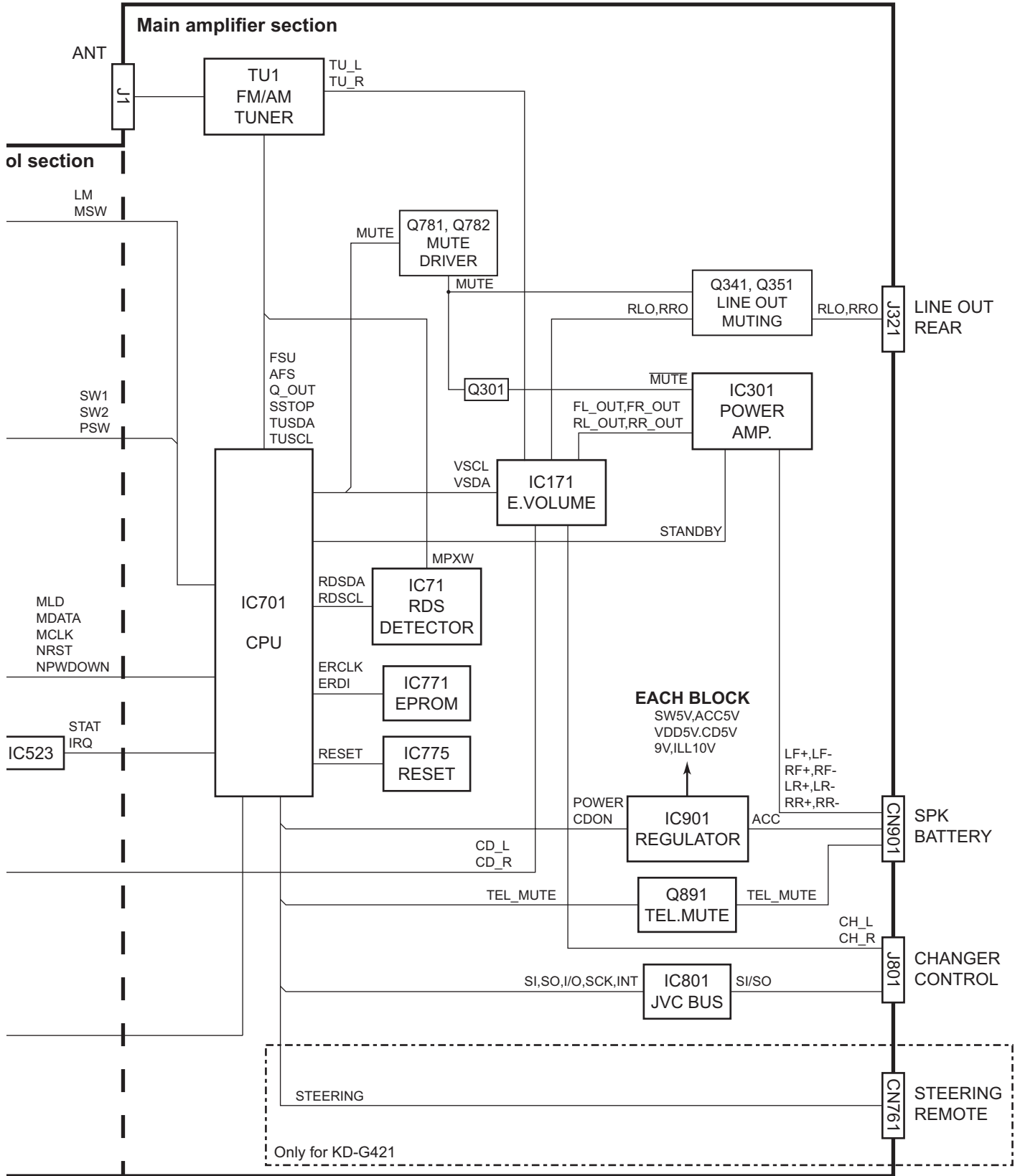
Block diagram (For KD-AR370,KD-G320,KD-G424 and KD-G425)





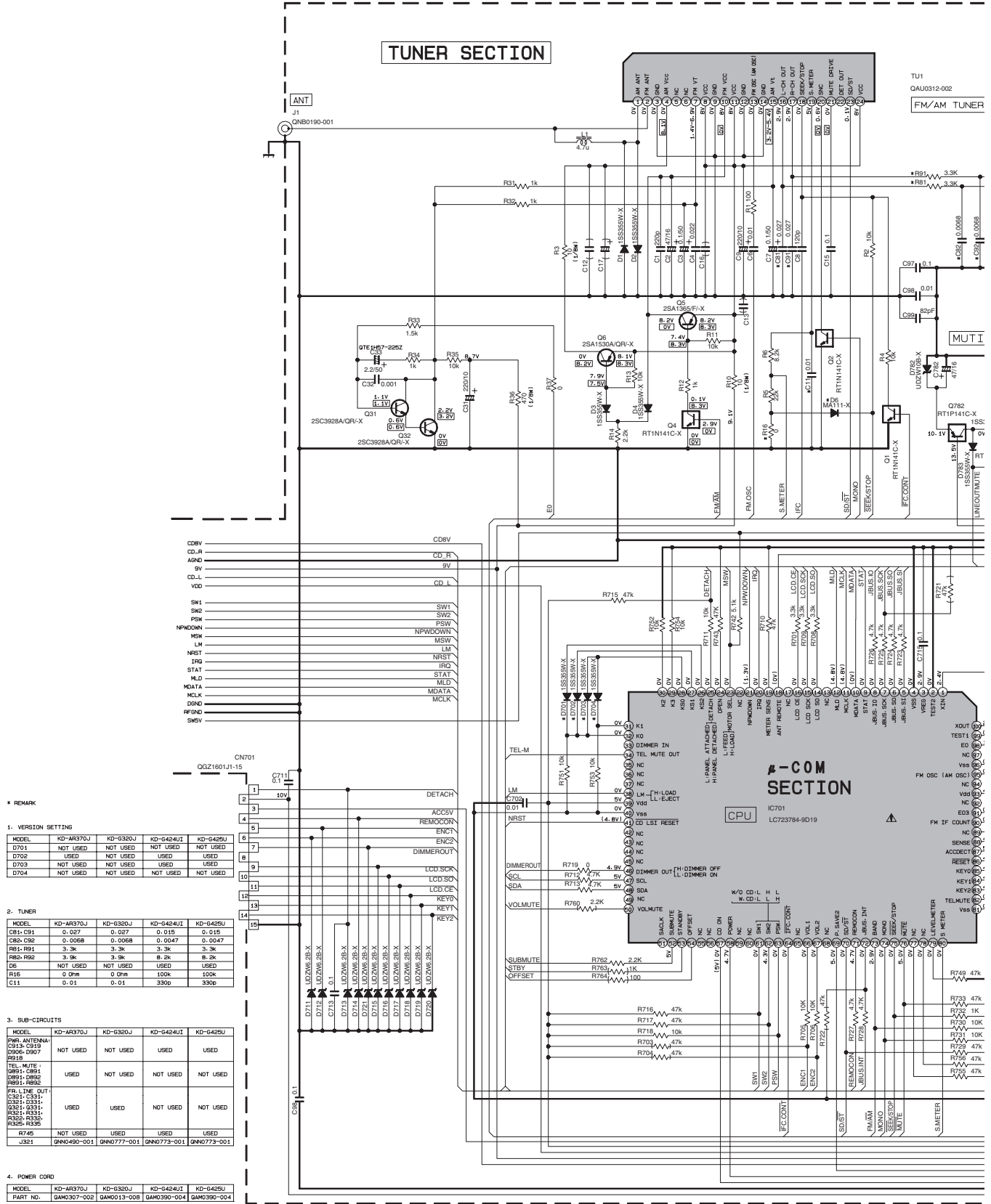
Block diagram (For KD-G421 and KD-G427)





Standard schematic diagrams

■ Main section (for KD-AR370, KD-G320, KD-G424, KD-G425)



* REMARK

1. VERSION SETTING

MODEL	KD-AR370J	KD-G320J	KD-G424UJ	KD-G425J
D701	NOT USED	NOT USED	NOT USED	NOT USED
D702	USED	NOT USED	USED	USED
D703	NOT USED	NOT USED	USED	USED
D704	NOT USED	NOT USED	NOT USED	NOT USED

2. TUNER

MODEL	KD-AR370J	KD-G320J	KD-G424UJ	KD-G425J
CB1-C91	0.027	0.027	0.015	0.015
CB5-C92	0.0068	0.0068	0.0047	0.0047
RB1-R91	3.3k	3.3k	3.3k	3.3k
RB2-R92	3.9k	3.9k	8.2k	8.2k
D6	NOT USED	NOT USED	USED	USED
R15	0 Ohm	0 Ohm	100k	100k
C11	0.01	0.01	390p	390p

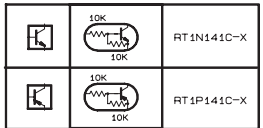
3. SUB-CIRCUITS

MODEL	KD-AR370J	KD-G320J	KD-G424UJ	KD-G425J
PRM. ANTENNA C914-C919	NOT USED	NOT USED	USED	USED
Q906-Q907	NOT USED	NOT USED	USED	USED
TEL. MUTE C891-C892	USED	NOT USED	NOT USED	NOT USED
TEL. MUTE C893-C894	USED	NOT USED	NOT USED	NOT USED
TEL. MUTE C895-C896	USED	NOT USED	NOT USED	NOT USED
TEL. MUTE C897-C898	USED	NOT USED	NOT USED	NOT USED
TEL. MUTE C899-C900	USED	NOT USED	NOT USED	NOT USED
R745	NOT USED	USED	USED	USED
J321	GN0490-001	GN0777-001	GN0773-001	GN0773-001

4. POWER CORD

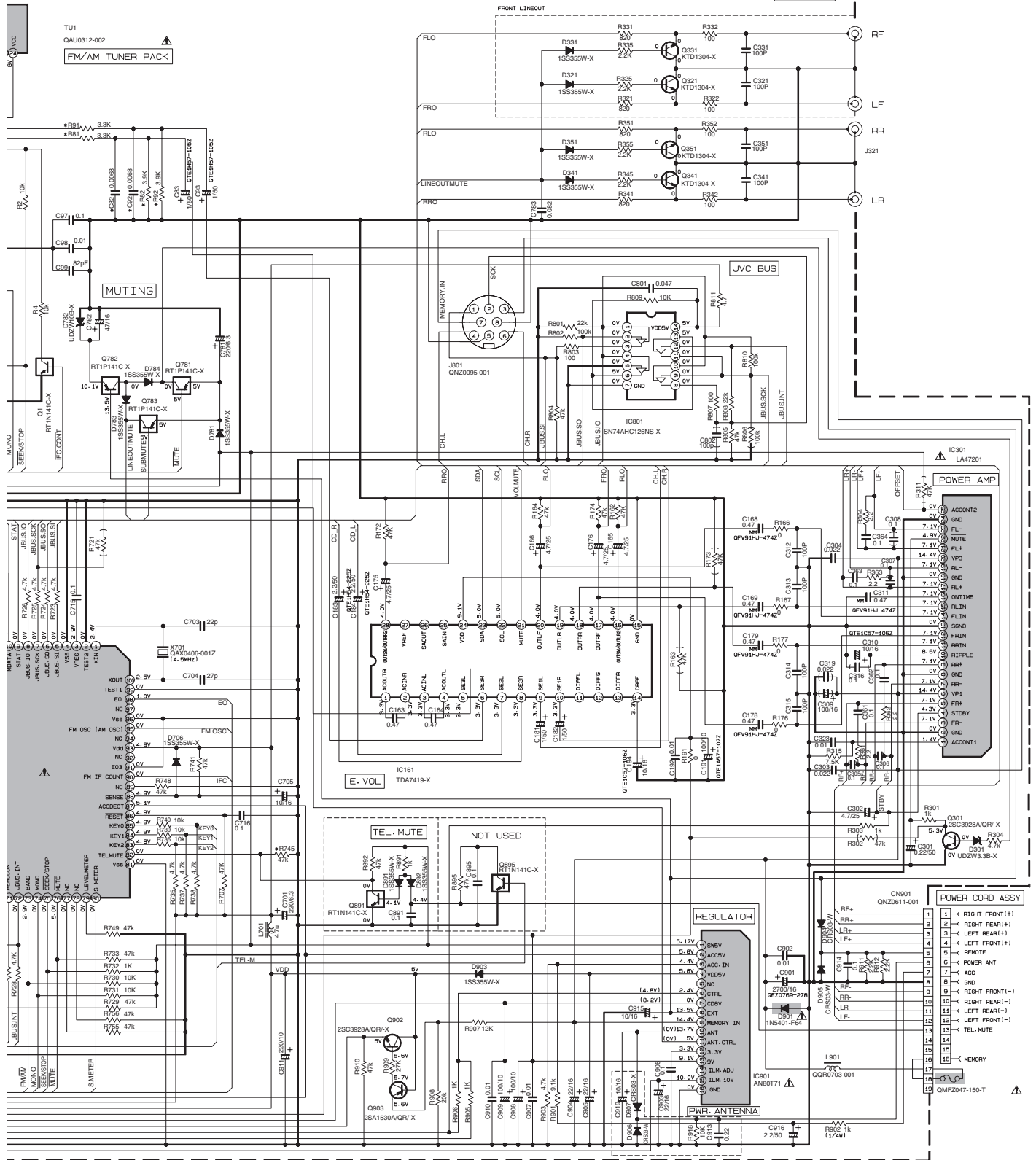
MODEL	KD-AR370J	KD-G320J	KD-G424UJ	KD-G425J
PART NO.	QAM0307-002	QAM013-008	QAM0390-004	QAM0390-004

- NOTES:
- VOLTAGE ARE DC-MEASURED WITH A DIGITAL VOLT-METER WITHOUT INPUT SIGNAL CONDITION. ---FM (AM MODE); () CD MODE.
 - UNLESS OTHERWISE SPECIFIED. ALL RESISTOR ARE 1/16W ± 5% METAL GLAZE RESISTOR. ALL CAPACITOR ARE 50V OR 25V CERAMIC CAPACITOR. ALL RESISTANCE VALUES ARE IN OHM. ALL CAPACITANCE VALUES ARE IN (UF#PF). ALL INDUCTANCE VALUES ARE IN μH. ALL E. CAPACITORS ARE SHOWN IN THE FORM OF CAPACITANCE (UF/1/RATED VOLTAGE) (V).



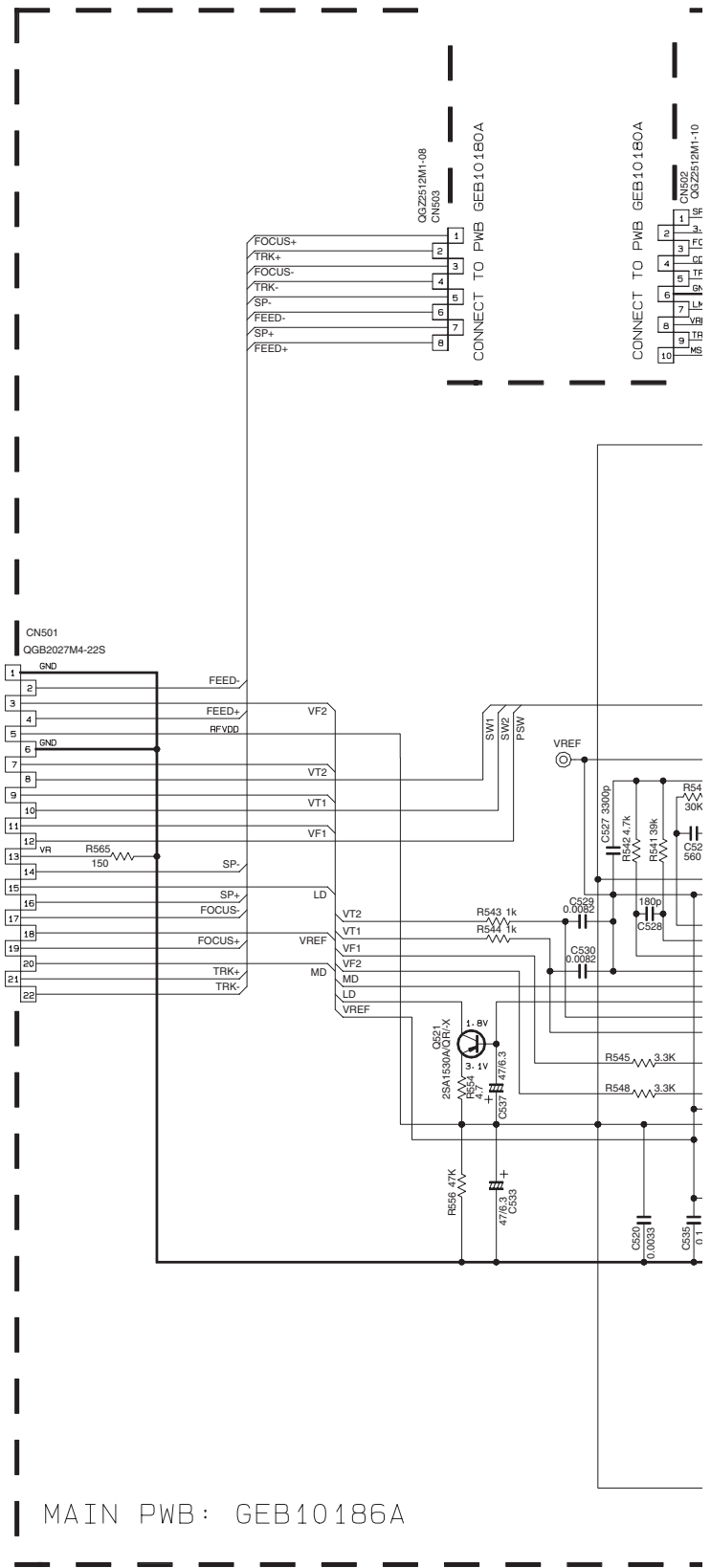
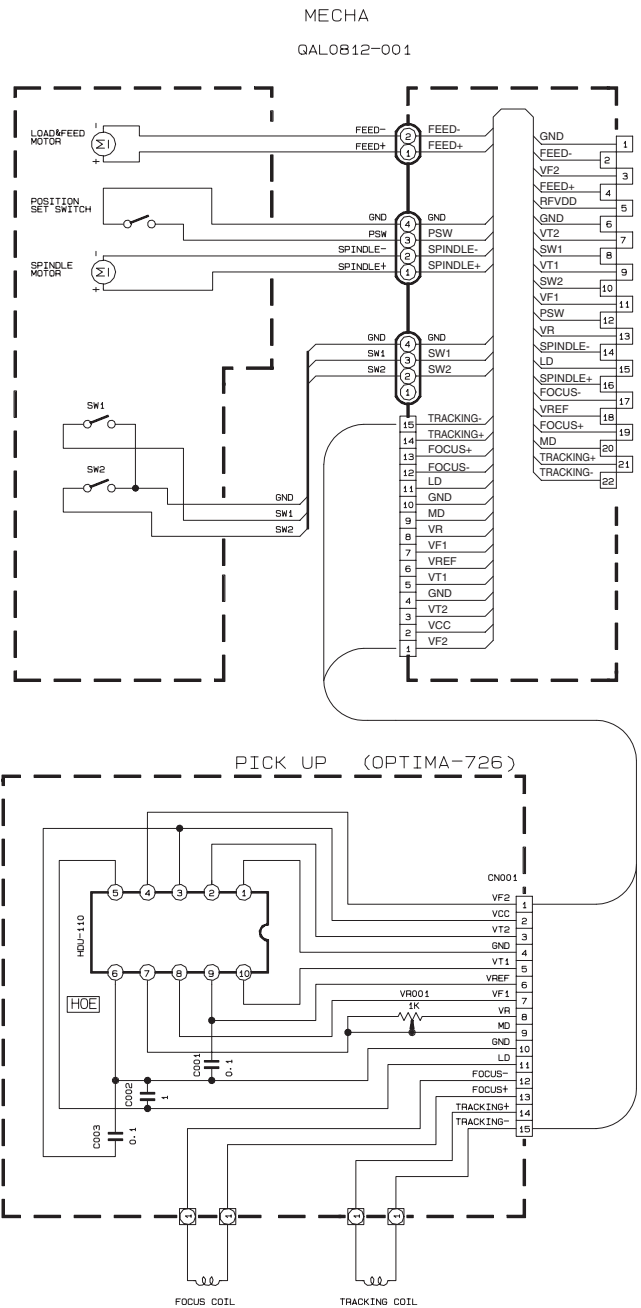
MAIN PWB: GEB10186A

LINEOUT

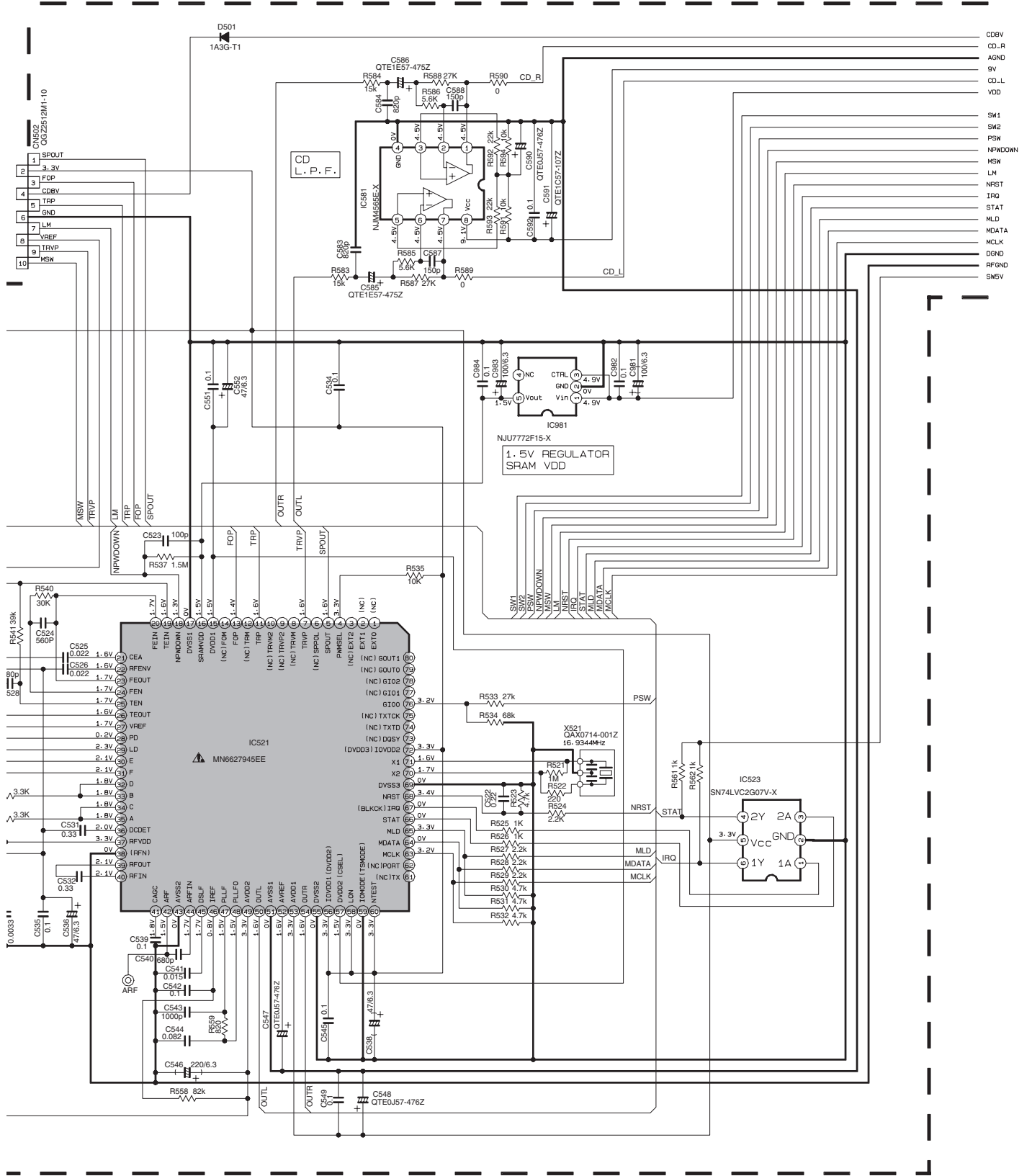


⚠ Parts are safety assurance parts.
When replacing those parts make
sure to use the specified one.

■ CD servo control section (for KD-AR370,KD-G320,KD-G424,KD-G425)



- NOTES:
- VOLTAGE ARE DC-MEASURED WITH A DIGITAL VOLTMETER WITHOUT INPUT SIGNAL CONDITION --- CD MODE.
 - UNLESS OTHERWISE SPECIFIED.
ALL RESISTOR ARE 1/16W ± 5% METAL GLAZE RESISTOR.
ALL CAPACITOR ARE 50V OR 25V CERAMIC CAPACITOR.
ALL RESISTANCE VALUES ARE IN OHM
ALL CAPACITANCE VALUES ARE IN uF (p=PF).
ALL INDUCTANCE VALUES ARE IN uH
ALL E. CAPACITORS ARE SHOWN IN THE FORM OF CAPACITANK

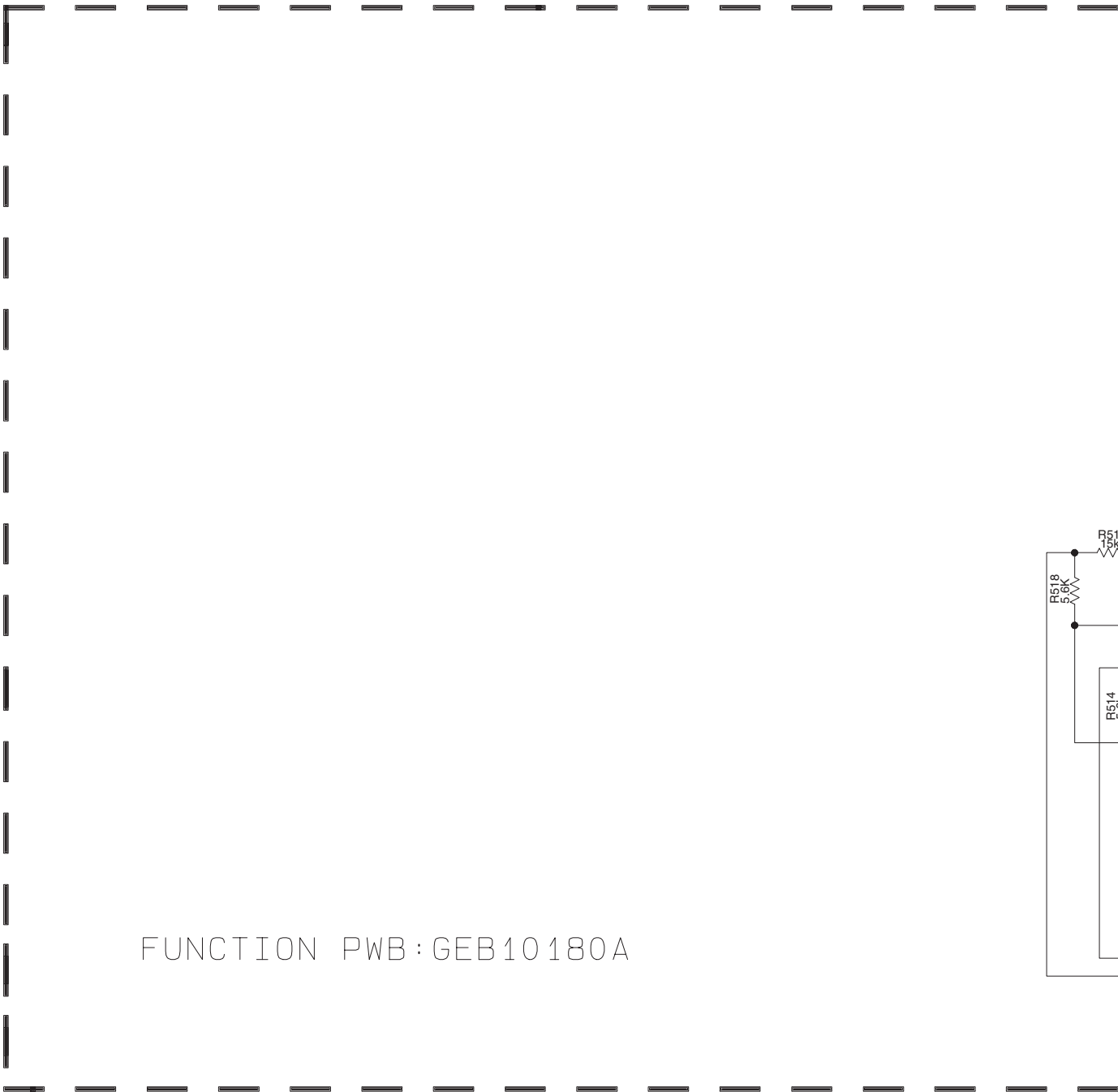


⚠ Parts are safety assurance parts.
When replacing those parts make
sure to use the specified one.

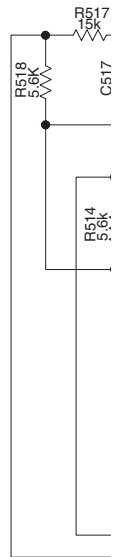
STOR.
:TOR.

CAPACITANCE (uF)/RATED VOLTAGE (V)

■ Function section (for KD-AR370,KD-G320,KD-G424,KD-G425)



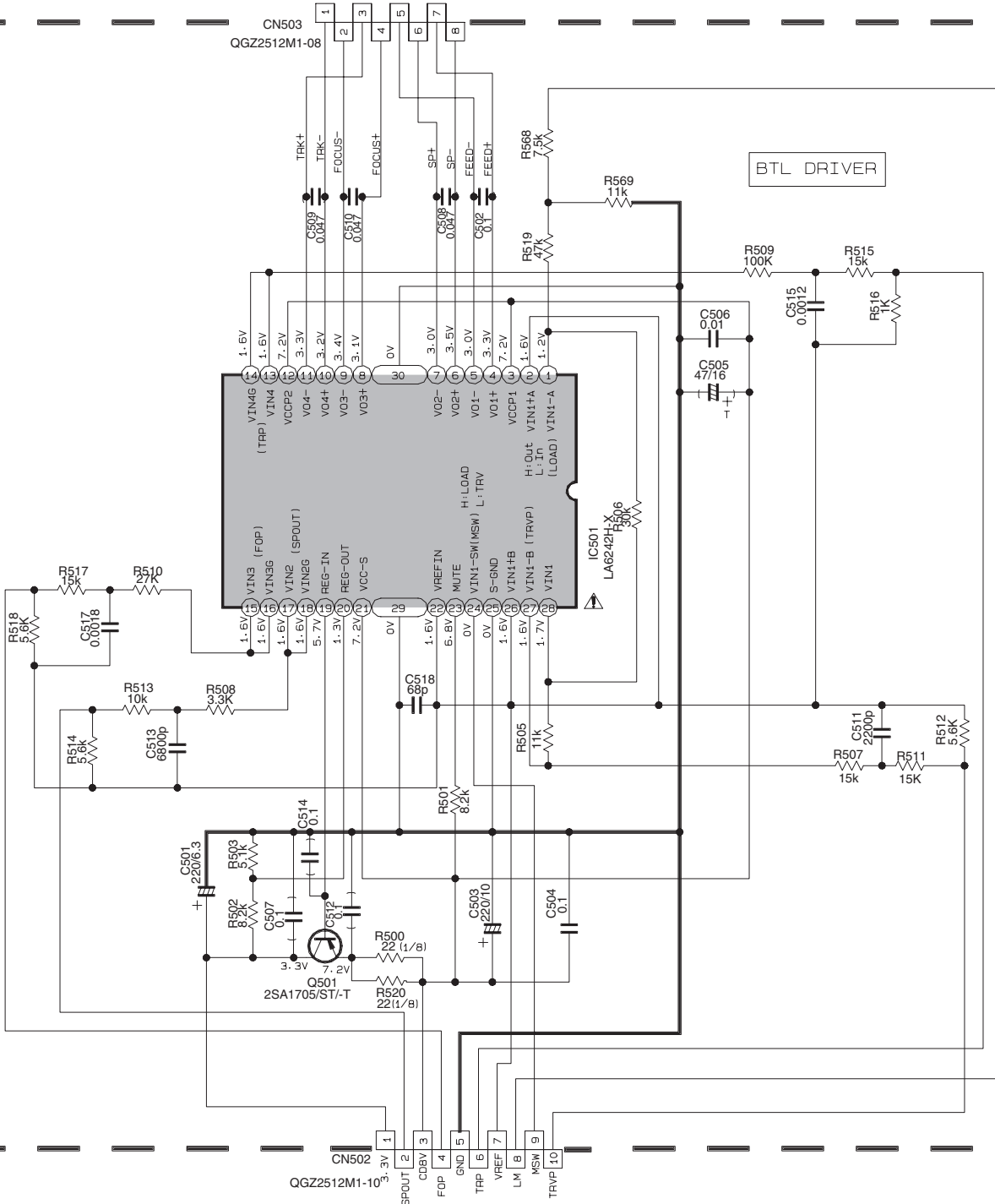
FUNCTION PWB : GEB10180A



NOTES:

1. VOLTAGE ARE DC-MEASURED WITH A DIGITAL VOLTMETER WITHOUT INPUT SIGNAL CONDITION
--- CD MODE.
2. UNLESS OTHERWISE SPECIFIED.
ALL RESISTOR ARE 1/16W ± 5%METAL GLAZE RESISTOR.
ALL CAPACITOR ARE 50V OR 25V CERAMIC CAPACITOR.
ALL RESISTANCE VALUES ARE IN OHM
ALL CAPACITANCE VALUES ARE IN uF(p=pF).
ALL INDUCTANCE VALUES ARE IN uH
ALL E. CAPACITORS ARE SHOWN IN THE FORM OF CAPACITANCE(uF)/RATED VOLTAGE(V)

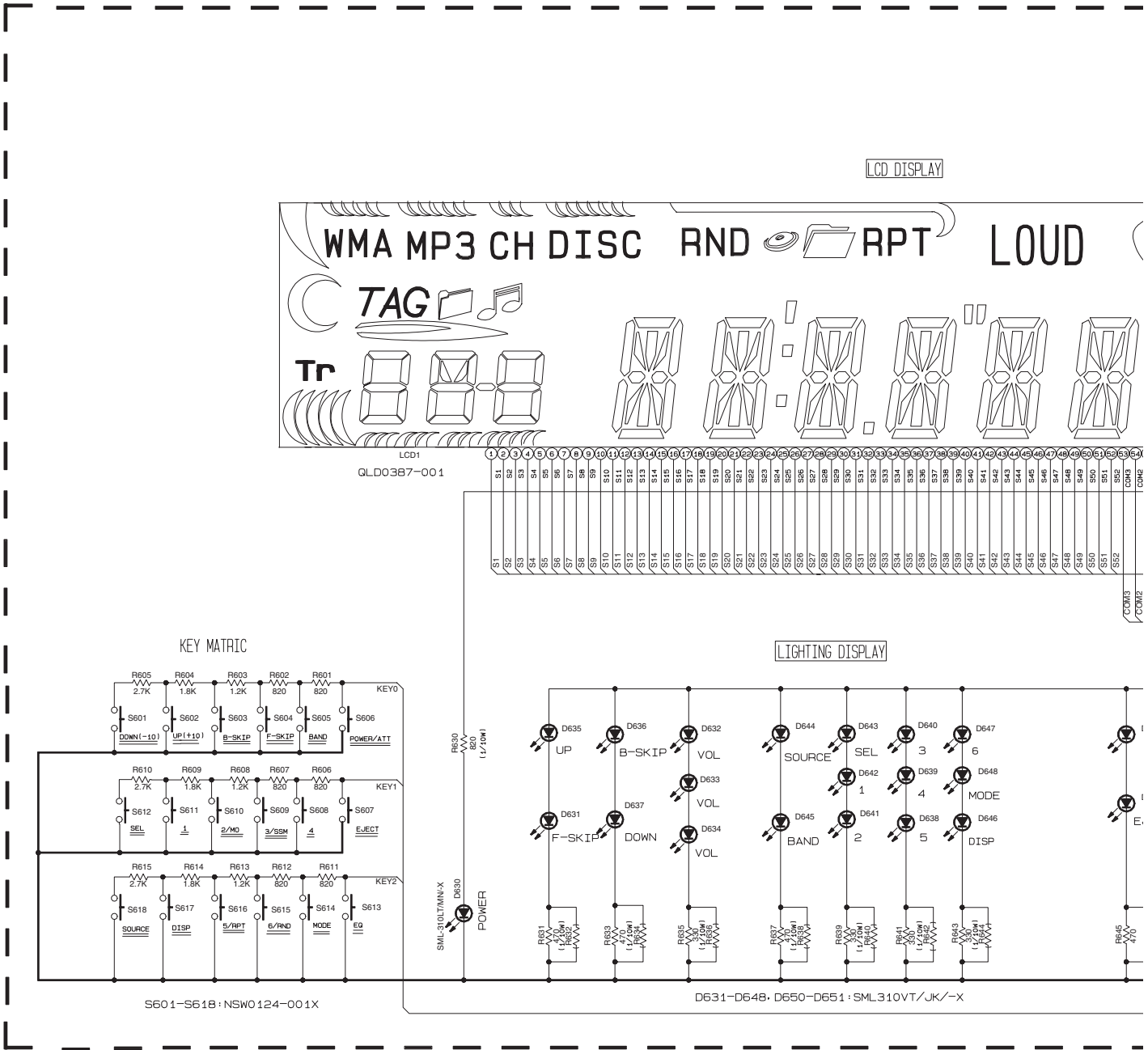
TO MAIN PWB: GEB10186A



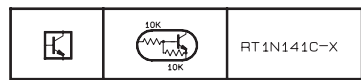
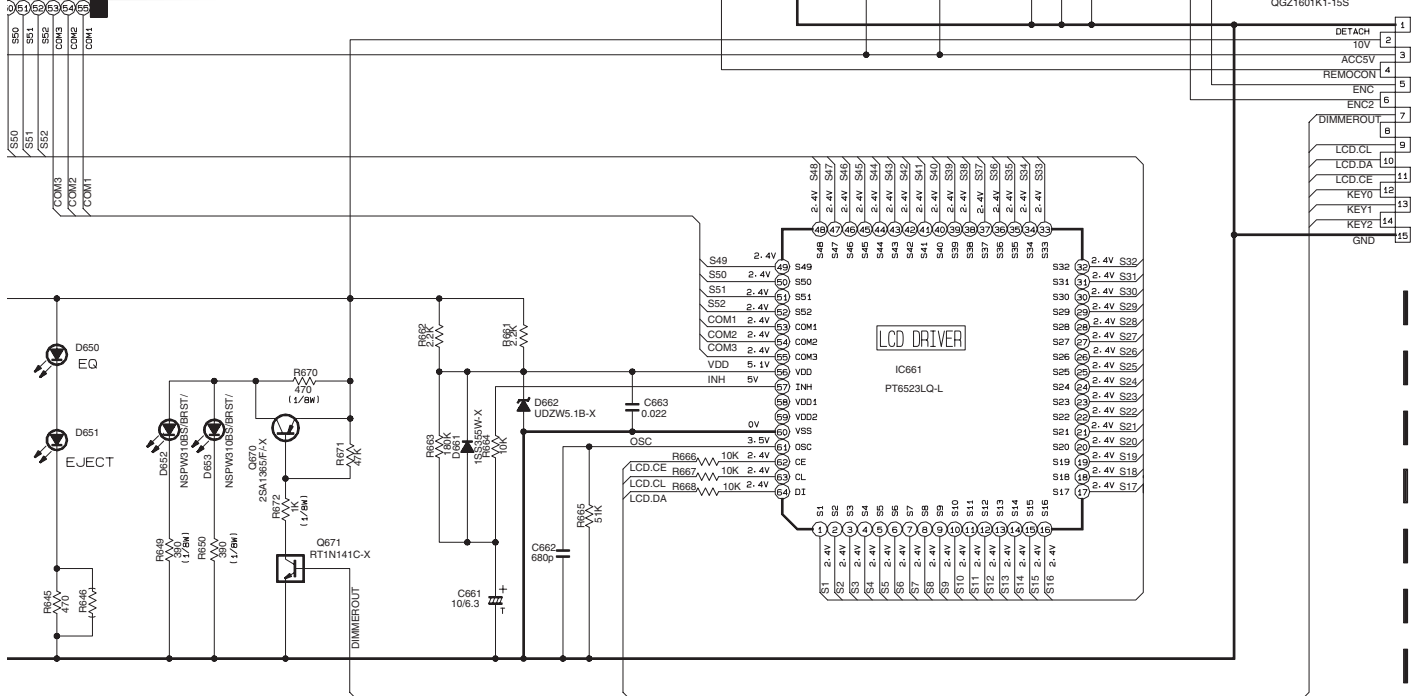
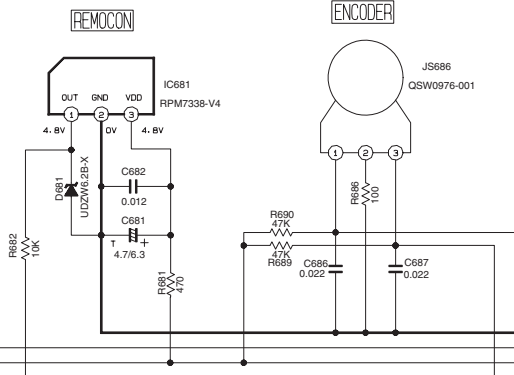
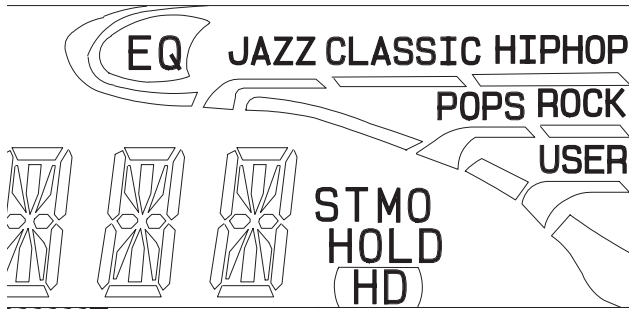
TO MAIN PWB: GEB10186A

▲ Parts are safety assurance parts.
When replacing those parts make
sure to use the specified one.

■ LCD & Key control section (for KD-AR370,KD-G320,KD-G424,KD-G425)



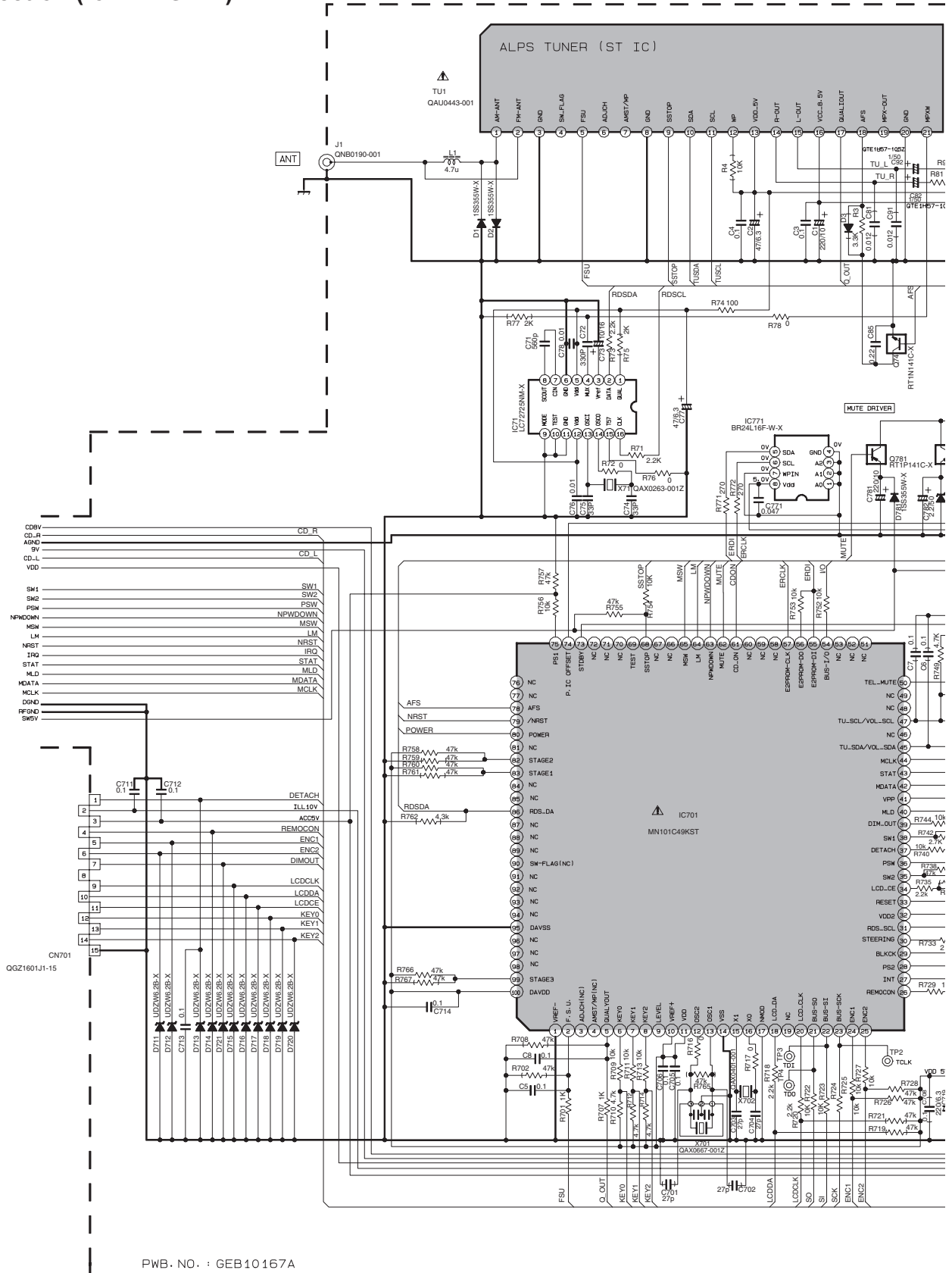
SW PWB : GEB10175A



NOTES

- VOLTAGES ARE DC-MEASURED WITH A DIGITAL VOLT METER WITHOUT INPUT SIGNAL.
- UNLESS OTHERWISE SPECIFIED.
 ALL RESISTORS ARE 1/16W 45% METAL GLAZE RESISTOR.
 ALL CAPACITORS ARE 50V OR 25V CERAMIC CAPACITOR.
 ALL RESISTANCE VALUES ARE IN OHM.
 ALL CAPACITANCE VALUES ARE IN uF (P=pF)
 ALL E. CAPACITORS ARE SHOWN IN THE FORM OF CAPACITANCE(uF)/RATED VOLTAGE(V)
 T --- TANTALUM CAPACITOR.
- COMPONENTS IN () INDICATE NOT USE.

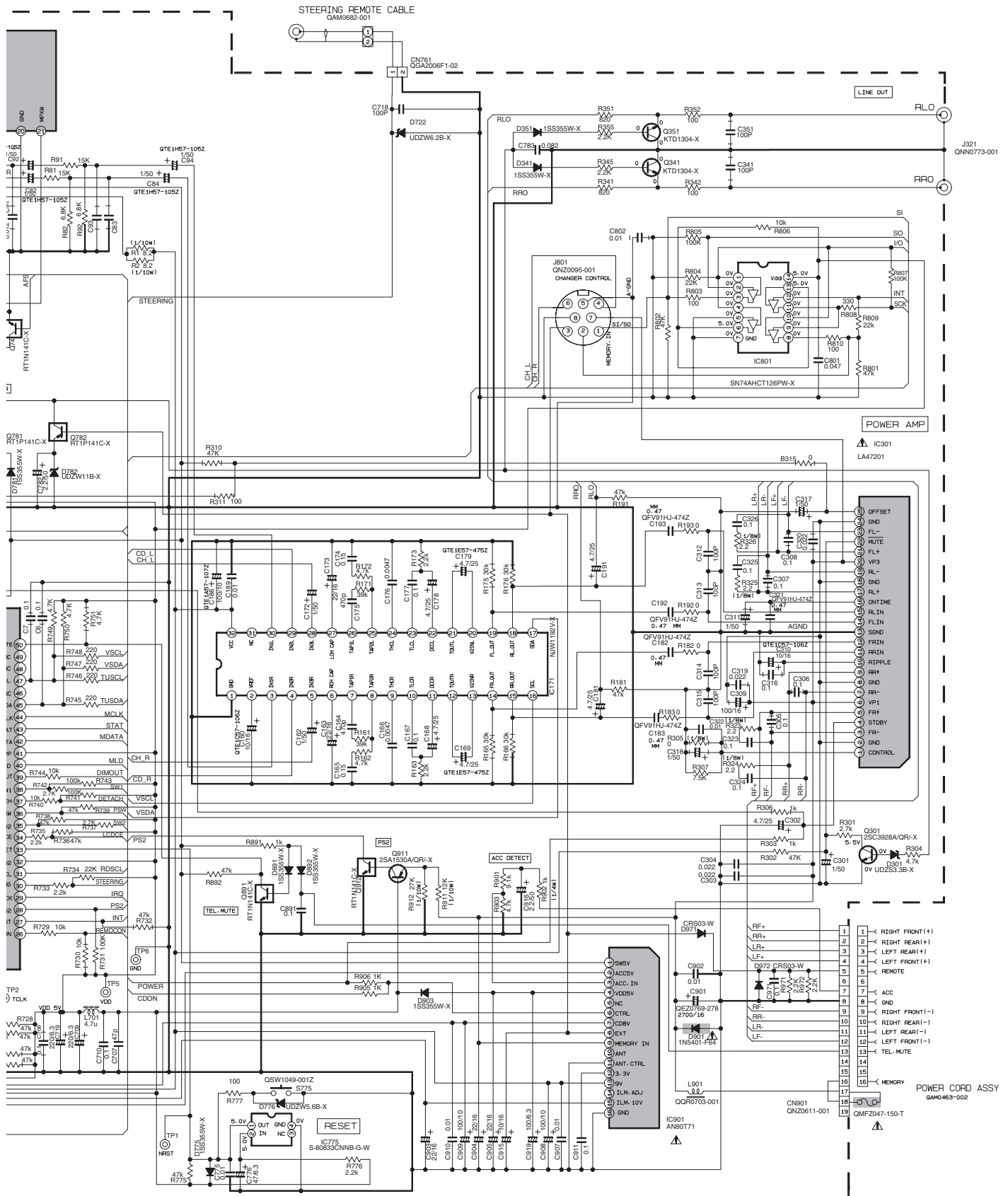
■ Main section (for KD-G421)



PWB. NO. : GEB10167A

	10K	RT1N141C-X
	10K	RT1P141C-X

⚠ Parts are safety assurance parts. When replacing those parts make sure to use the specified one.

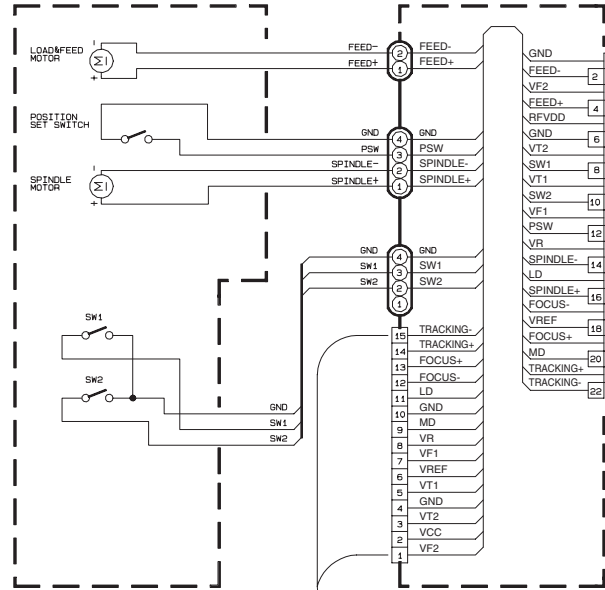


- NOTES
1. VOLTAGES ARE DC-MEASURED WITH A DIGITAL VOLT METER WITHOUT INPUT SIGNAL CONDITION---FM MODE. () CD MODE.
 2. UNLESS OTHERWISE SPECIFIED.
 ALL RESISTORS ARE 1/4W ± 5% METAL GLAZE RESISTOR.
 ALL CAPACITORS ARE 50V OR 25V CERAMIC CAPACITOR.
 ALL RESISTANCE VALUES ARE IN OHM.
 ALL CAPACITANCE VALUES ARE IN uF(P=pf)
 ALL E. CAPACITORS ARE SHOWN IN THE FORM OF CAPACITANCE(uF)/RATED VOLTAGE(V)
 TF --- T. F. CAPACITOR
 3. COMPONENTS IN () INDICATE NOT USE.

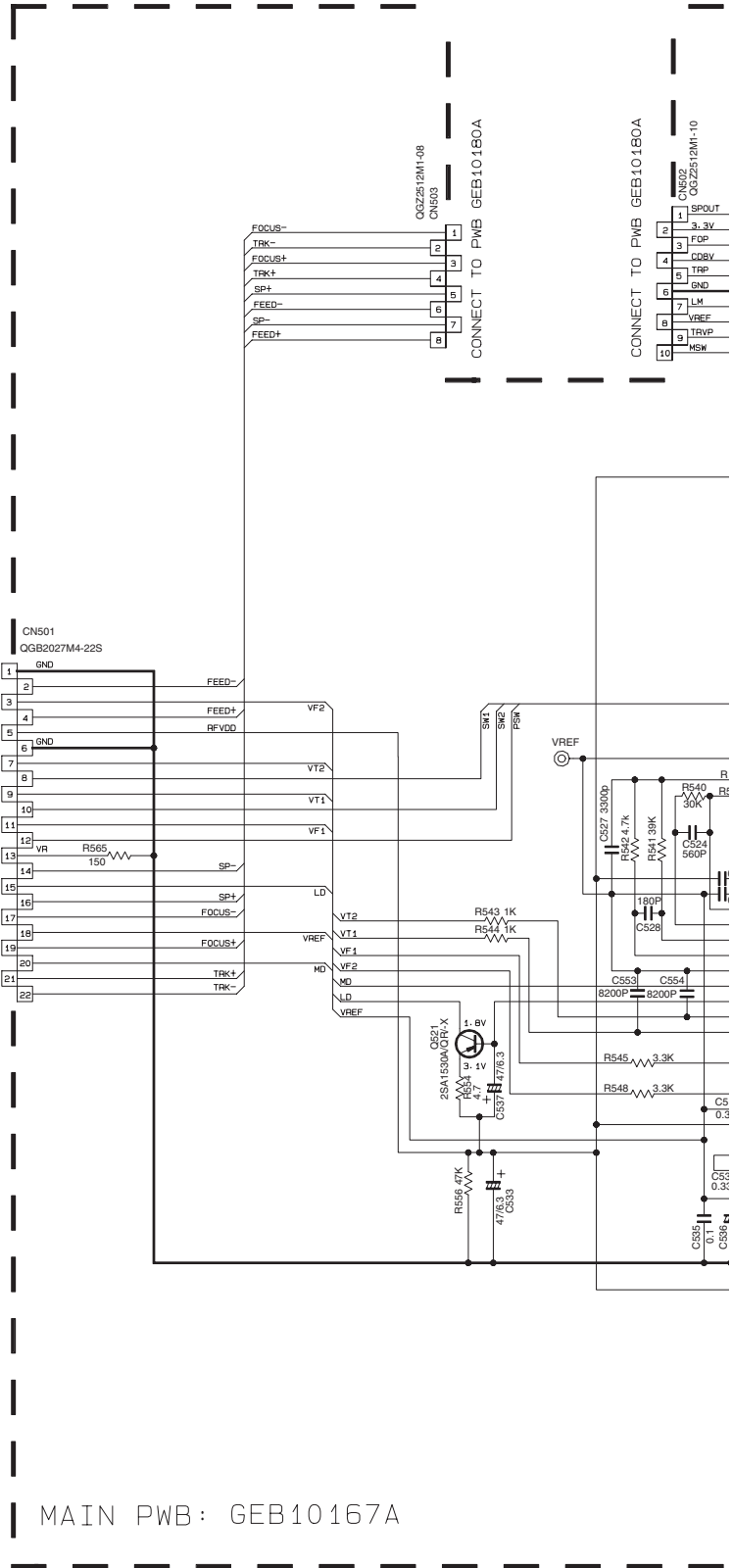
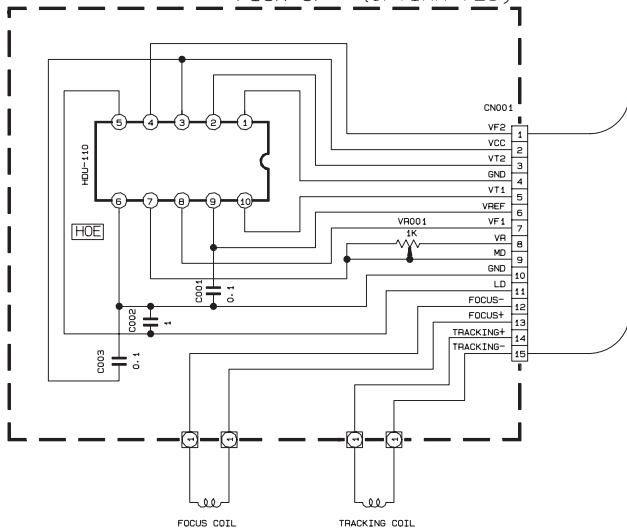
parts.
 ; make
 IE.

■ CD servo control section (for KD-G421)

MECHA
GAL0812-001



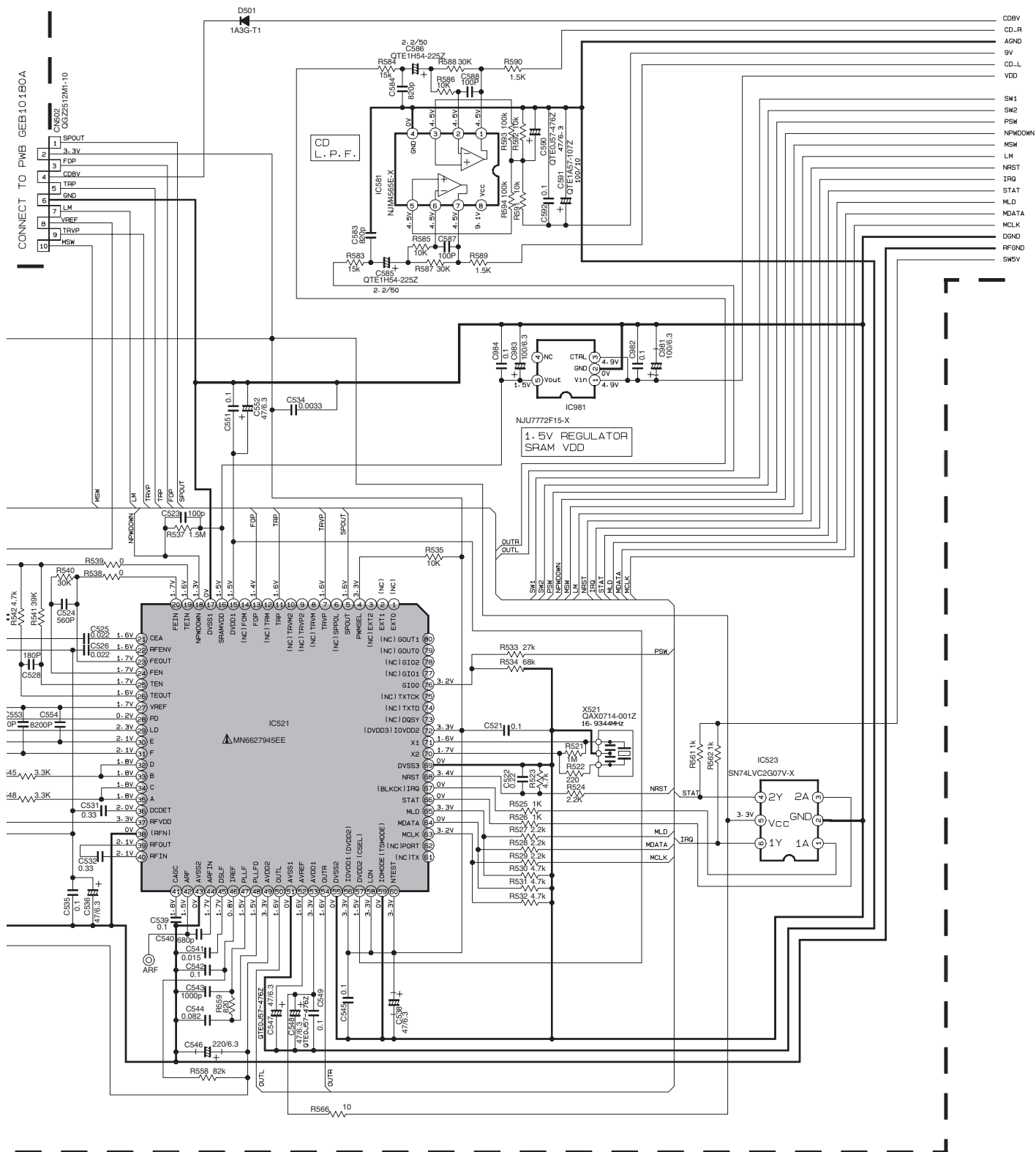
PICK UP (OPTIMA-726)



MAIN PWB: GEB10167A

NOTES:

- 1: VOLTAGE ARE DC-MEASURED WITH A DIGITAL VOLTMETER WITHOUT INPUT SIGNAL CONDITION --- CD MODE.
- 2: UNLESS OTHERWISE SPECIFIED.
ALL RESISTOR ARE 1/16W ± 5%METAL GLAZE RESISTOR.
ALL CAPACITOR ARE 50V OR 25V CERAMIC CAPACITOR.
ALL RESISTANCE VALUES ARE IN OHM
ALL CAPACITANCE VALUES ARE IN uF(p=PF).
ALL INDUCTANCE VALUES ARE IN uH
ALL E. CAPACITORS ARE SHOWN IN THE FORM OF CAPACITANCE(uF)



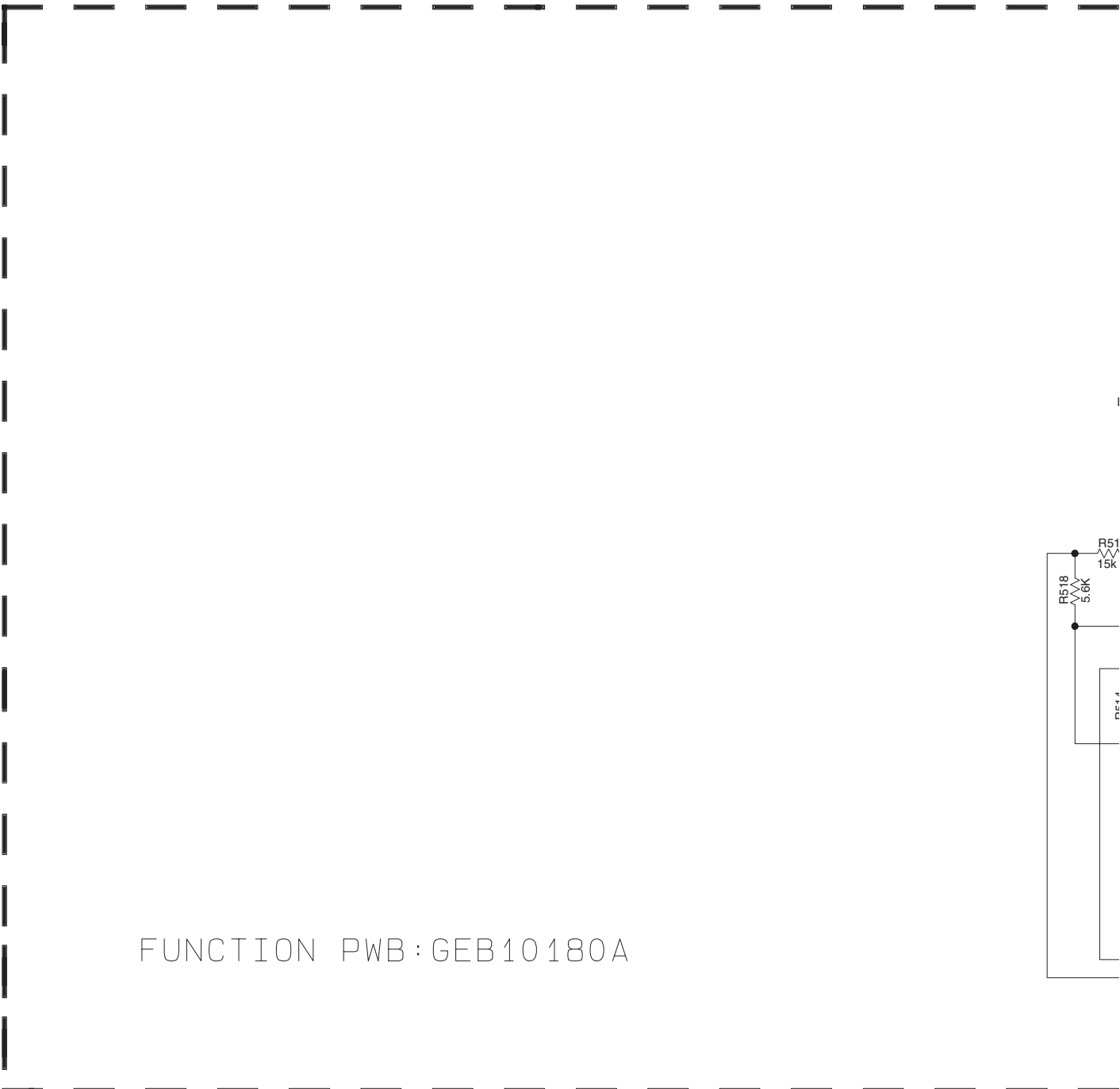
ON

⚠ Parts are safety assurance parts.
When replacing those parts make
sure to use the specified one.

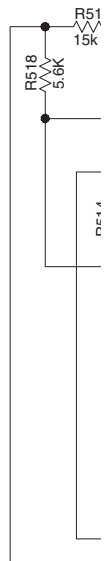
RESISTOR:
CAPACITOR:

μ OF CAPACITANCE (μF)/RATED VOLTAGE (V)

■ Function section (for KD-G421)



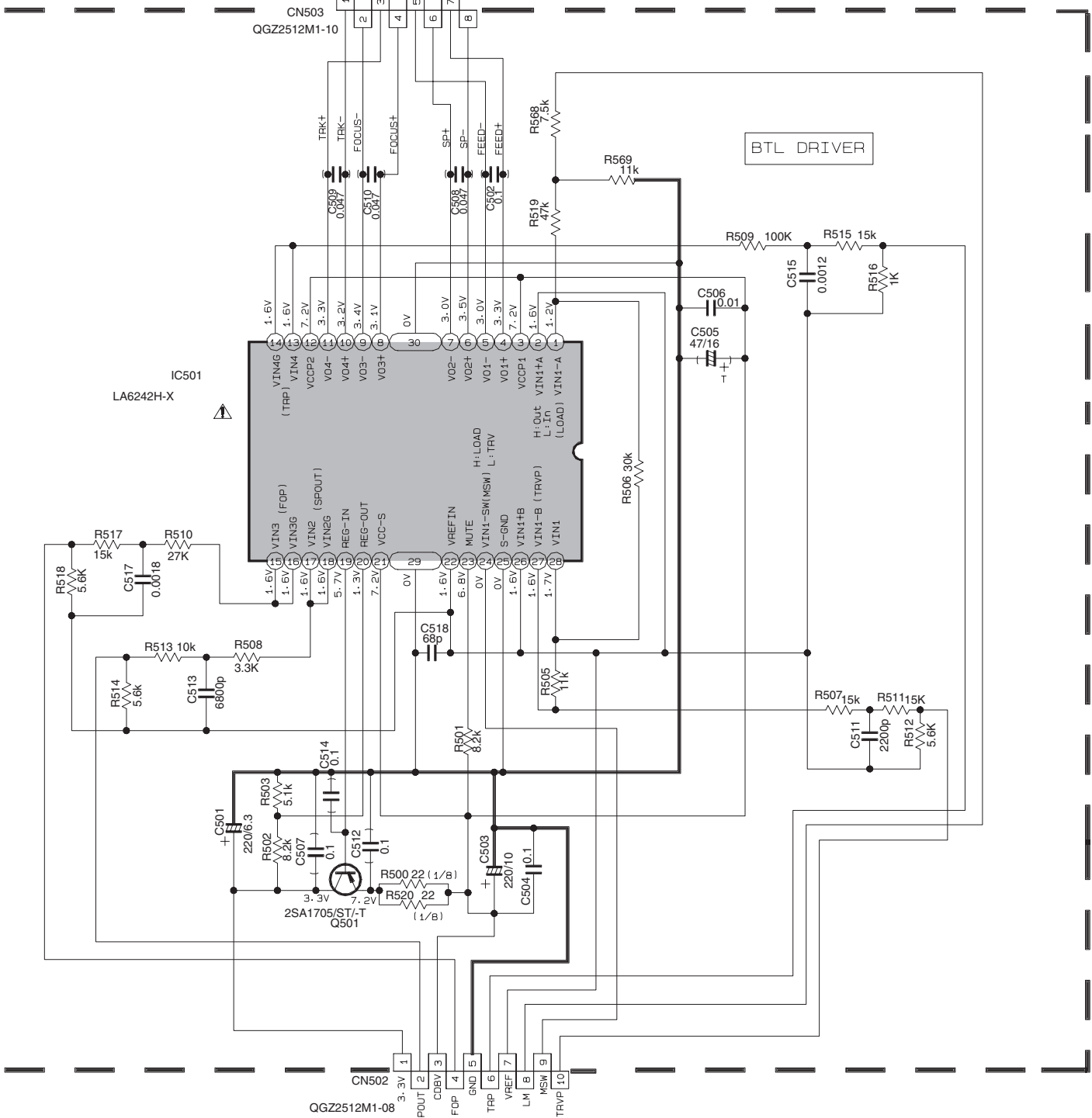
FUNCTION PWB:GEB10180A



NOTES:

1. VOLTAGE ARE DC-MEASURED WITH A DIGITAL VOLTMETER WITHOUT INPUT SIGNAL CONDITION
--- CD MODE.
2. UNLESS OTHERWISE SPECIFIED.
ALL RESISTOR ARE 1/16W ±5%METAL GLAZE RESISTOR.
ALL CAPACITOR ARE 50V OR 25V CERAMIC CAPACITOR.
ALL RESISTANCE VALUES ARE IN OHM
ALL CAPACITANCE VALUES ARE IN uF(p=pF).
ALL INDUCTANCE VALUES ARE IN uH
ALL E. CAPACITORS ARE SHOWN IN THE FORM OF CAPACITANCE(uF)/RATED VOLTAGE(V)

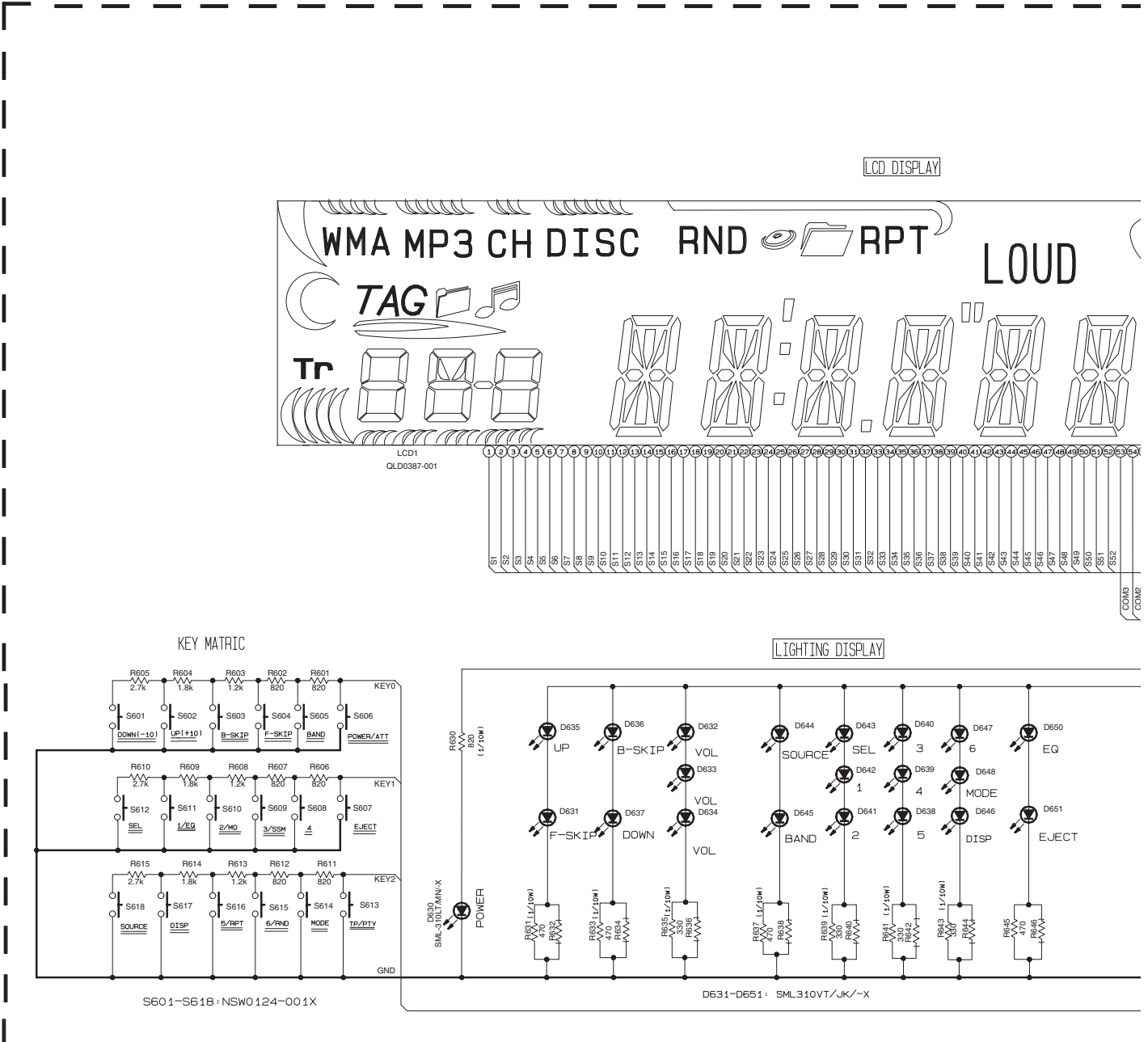
TO MAIN PCB: GEB10167A



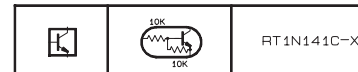
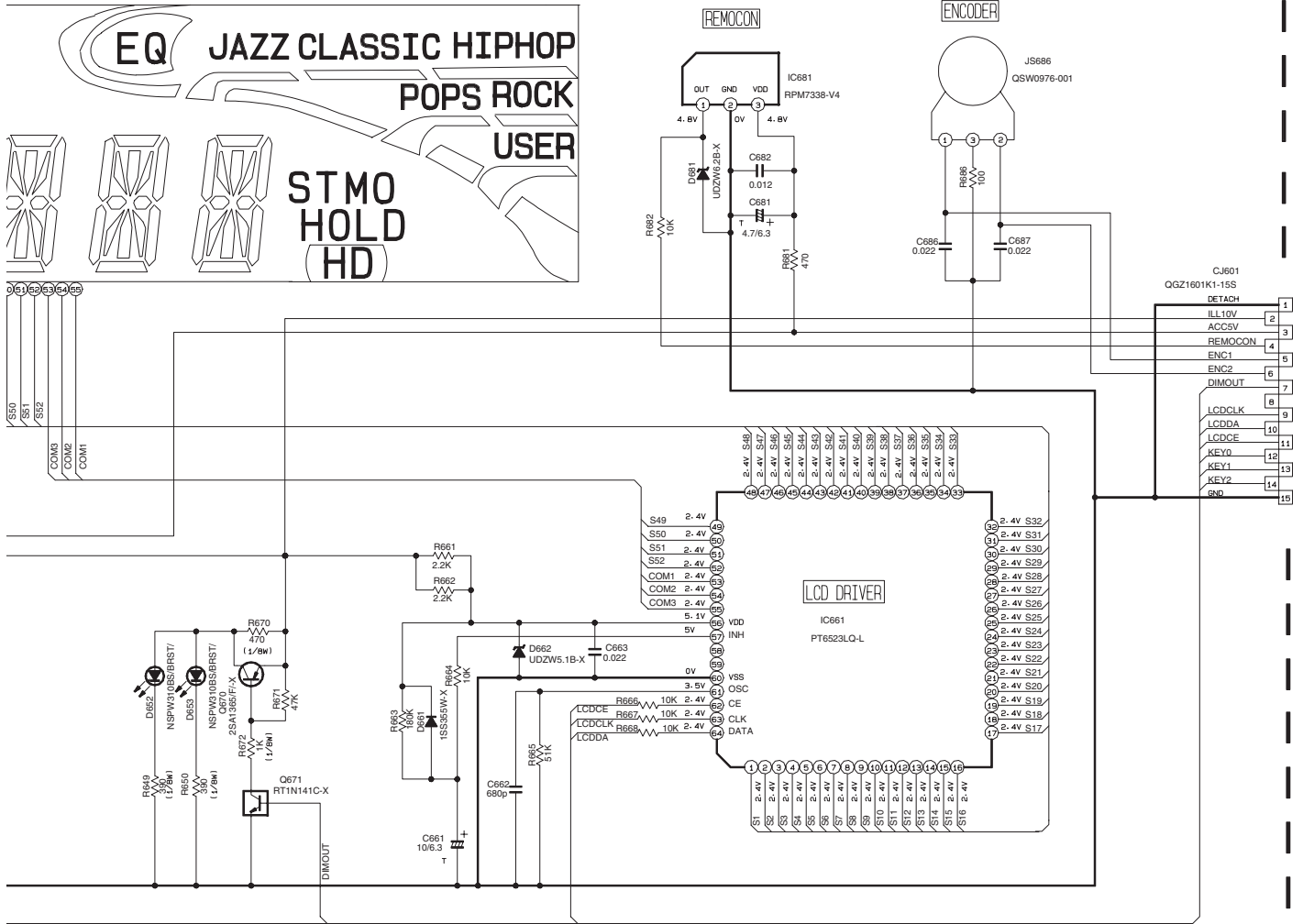
TO MAIN PCB: GEB10167A

⚠ Parts are safety assurance parts.
When replacing those parts make
sure to use the specified one.

■ LCD & Key control section (for KD-G421)



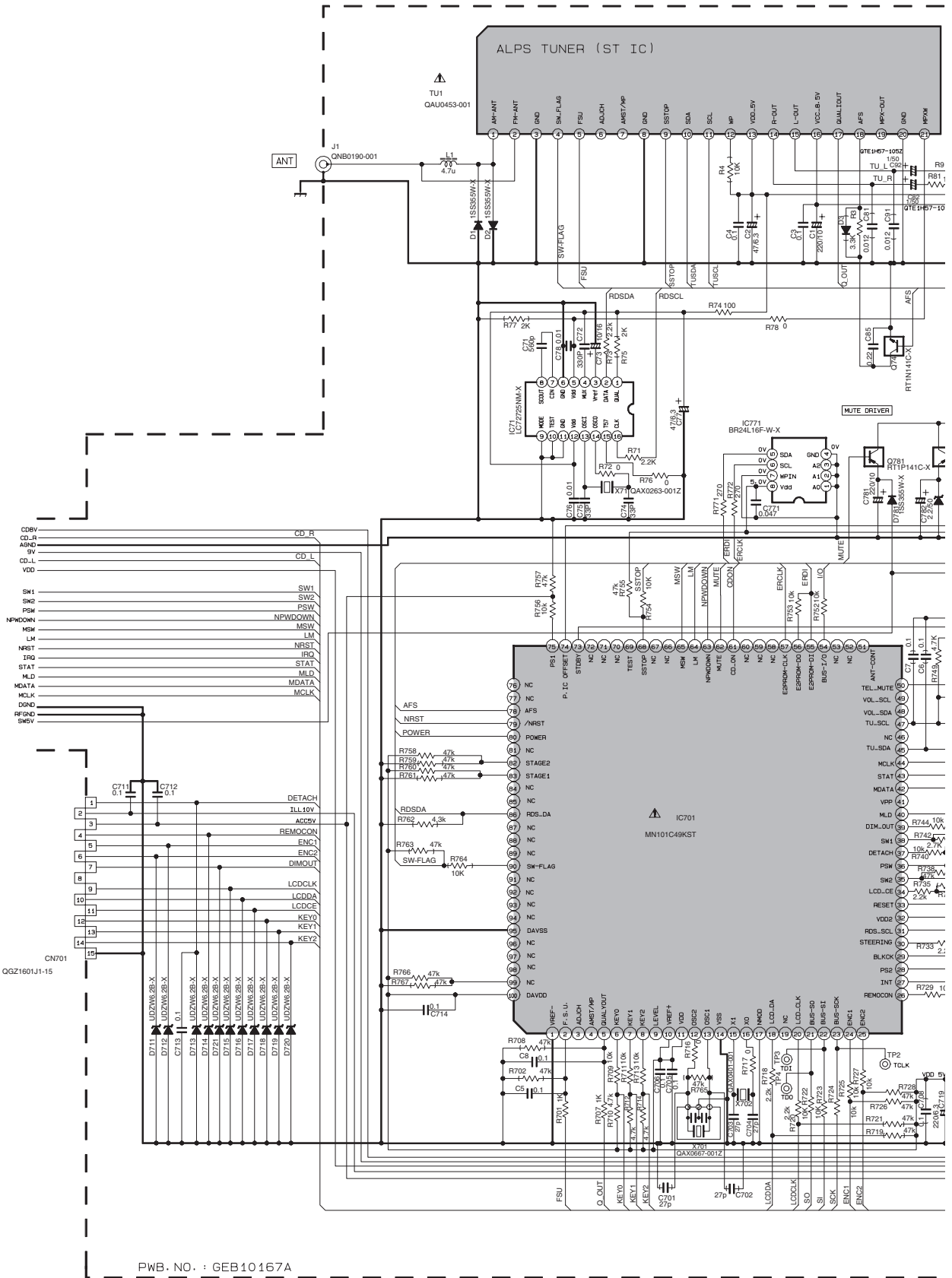
SW PWB: GEB10175A



NOTES

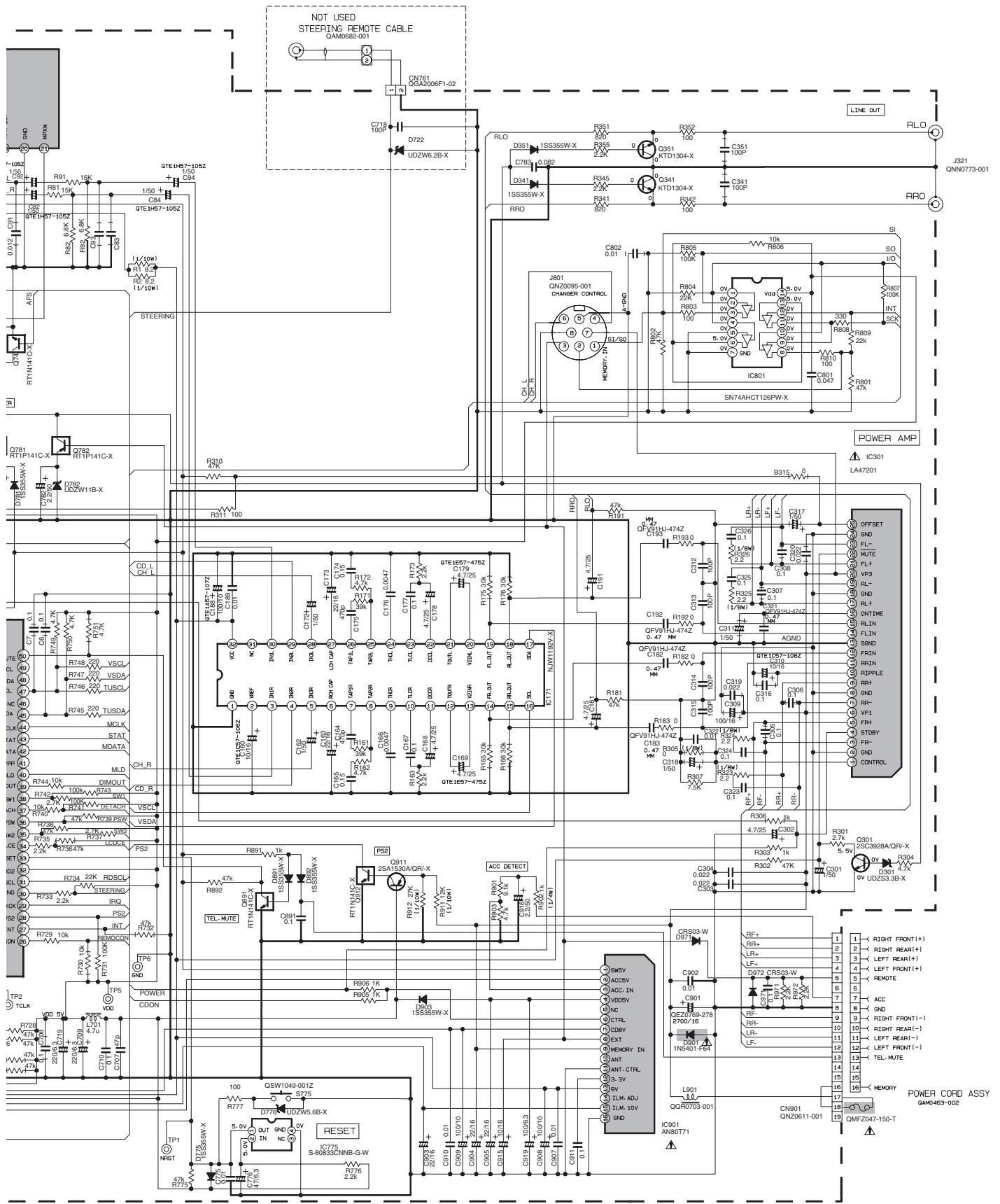
- VOLTAGES ARE DC-MEASURED WITH A DIGITAL VOLT METER WITHOUT INPUT SIGNAL.
- UNLESS OTHERWISE SPECIFIED.
ALL RESISTORS ARE 1/16W ±5% METAL GLAZE RESISTOR.
ALL CAPACITORS ARE 50V OR 25V CERAMIC CAPACITOR.
ALL RESISTANCE VALUES ARE IN OHM.
ALL CAPACITANCE VALUES ARE IN uF (P=pF)
ALL E-CAPACITORS ARE SHOWN IN THE FORM OF CAPACITANCE(uF)/RATED VOLTAGE(V)
T --- TANTAL CAPACITOR.
- COMPONENTS IN () INDICATE NOT USE.

■ Main section (for KD-G427)



	10K 	RT1N141C-X
	10K 	RT1P141C-X

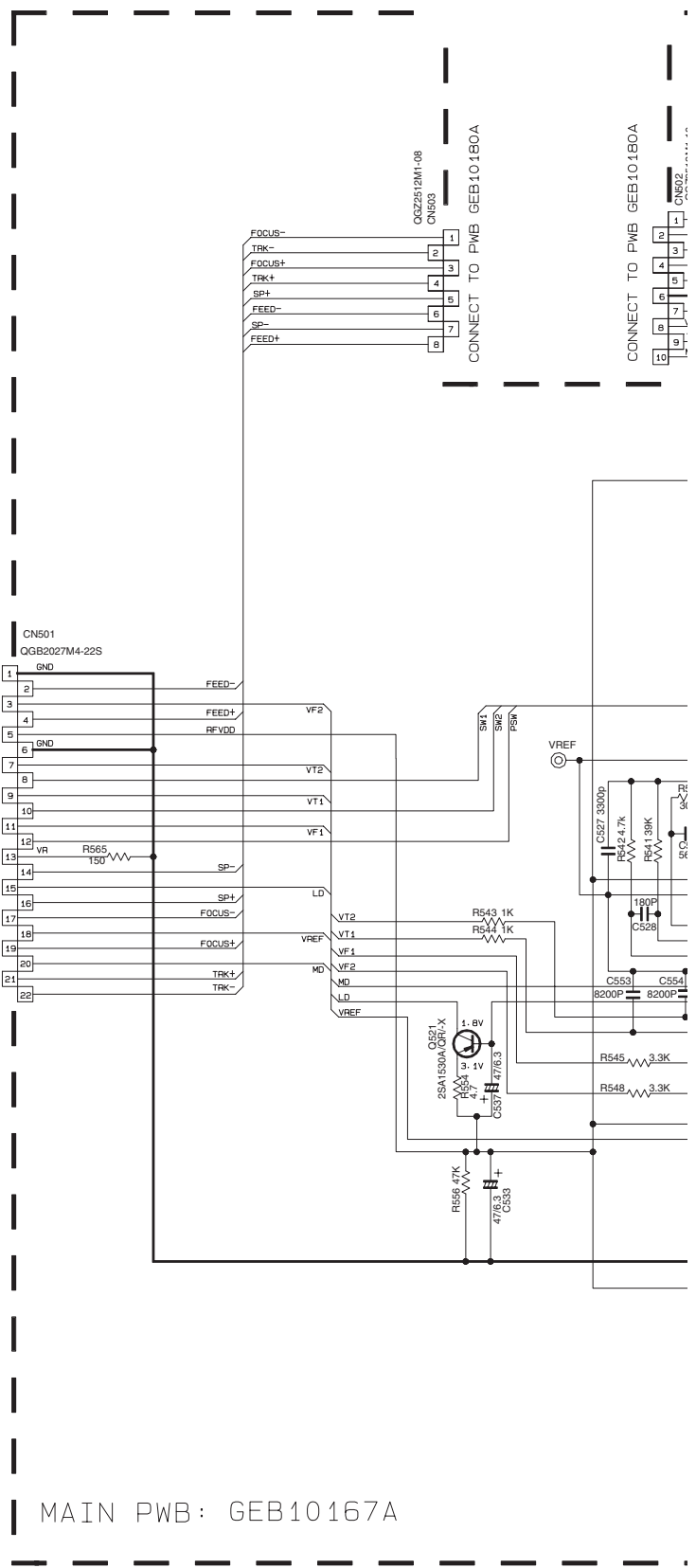
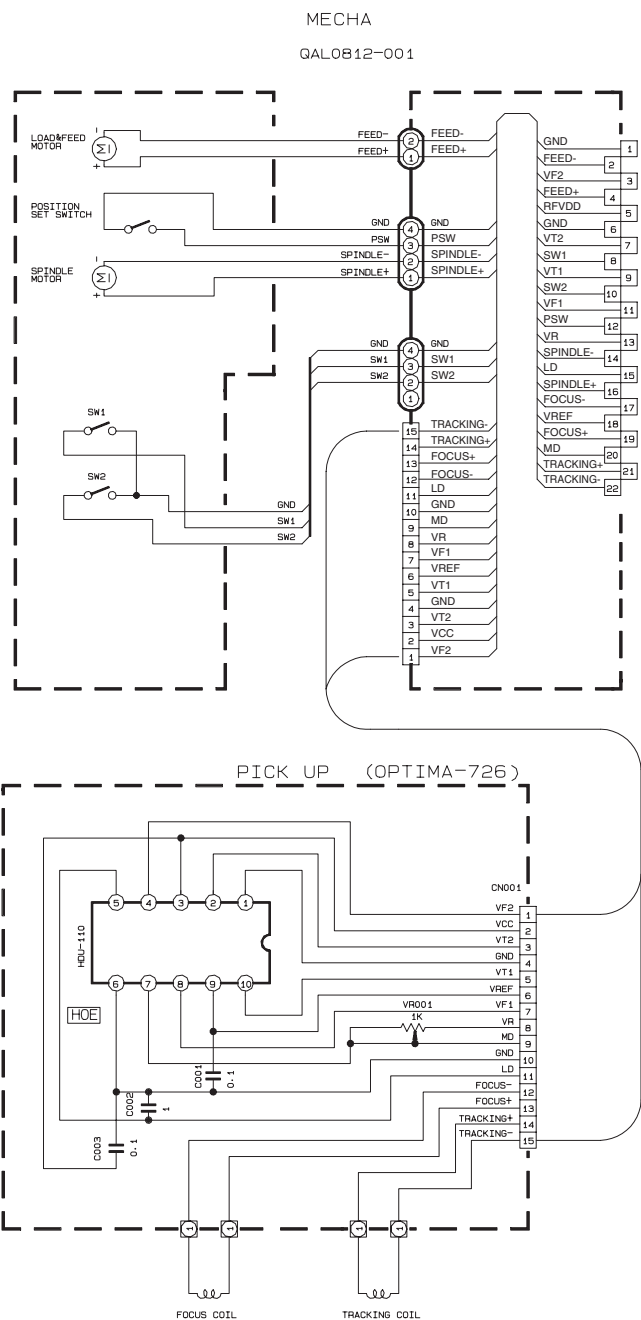
▲ Parts are safety assurance parts.
When replacing those parts make sure to use the specified one.



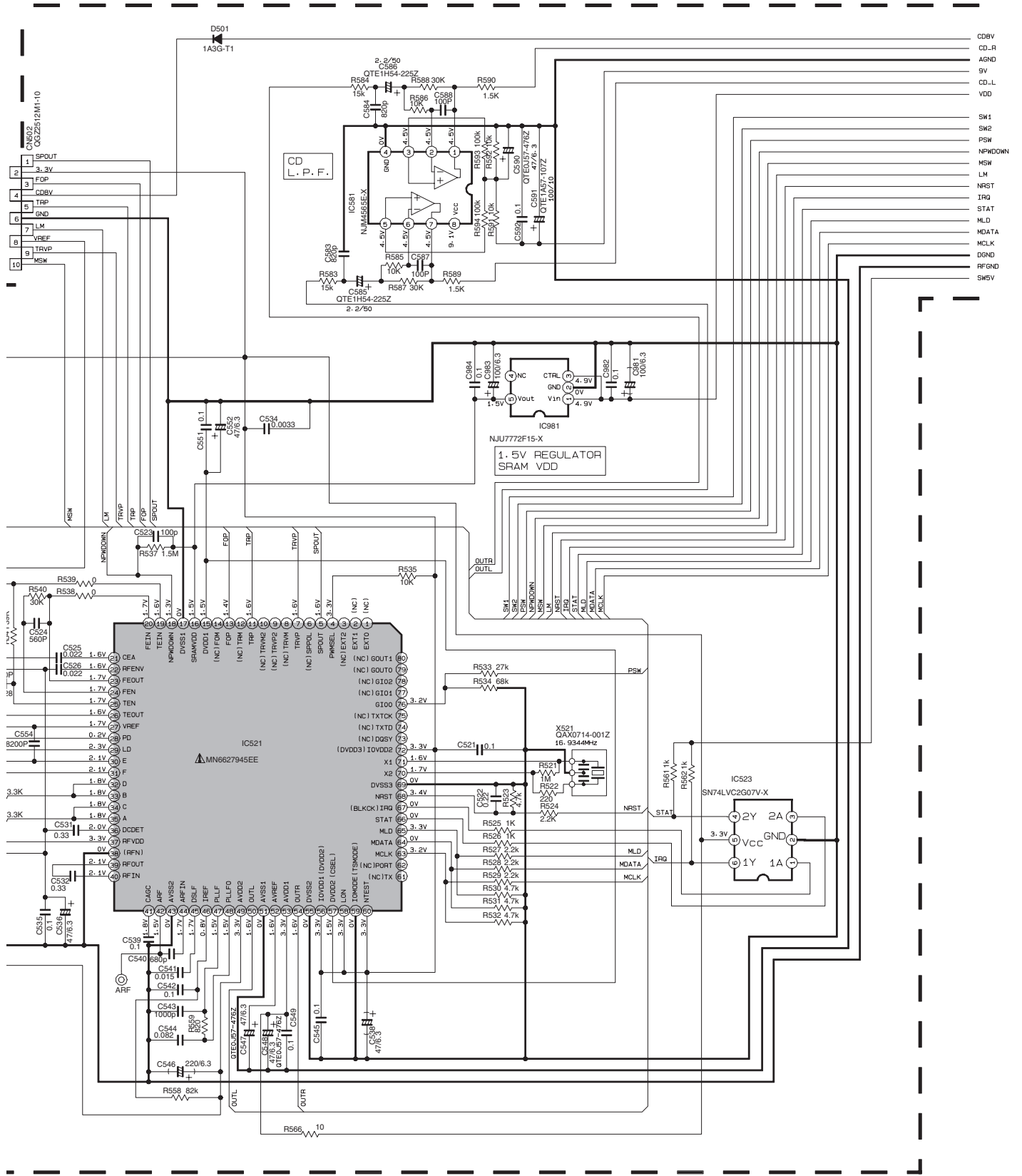
- NOTES
1. VOLTAGES ARE DC-MEASURED WITH A DIGITAL VOLT METER WITHOUT INPUT SIGNAL CONDITION—FM MODE. () AM MODE. () CD MODE.
 2. UNLESS OTHERWISE SPECIFIED.
 ALL RESISTORS ARE 1/16W ±5% METAL GLAZE RESISTOR.
 ALL CAPACITORS ARE 50V OR 25V CERAMIC CAPACITOR.
 ALL RESISTANCE VALUES ARE IN OHM.
 ALL CAPACITANCE VALUES ARE IN uF (P=PF)
 ALL E. CAPACITORS ARE SHOWN IN THE FORM OF CAPACITANCE(uF)/RATED VOLTAGE(V)
 TF --- T. F. CAPACITOR
 3. COMPONENTS IN () INDICATE NOT USED.


parts.
s make
ne.

CD servo control section (for KD-G427)



- NOTES:
- VOLTAGE ARE DC-MEASURED WITH A DIGITAL VOLTMETER WITHOUT INPUT SIGNAL CONDITION
--- CD MODE.
 - UNLESS OTHERWISE SPECIFIED.
ALL RESISTOR ARE 1/16W ± 5% METAL GLAZE RESISTOR.
ALL CAPACITOR ARE 50V OR 25V CERAMIC CAPACITOR.
ALL RESISTANCE VALUES ARE IN OHM
ALL CAPACITANCE VALUES ARE IN uF(D=PF).
ALL INDUCTANCE VALUES ARE IN uH
ALL E- CAPACITORS ARE SHOWN IN THE FORM OF CAPACIT



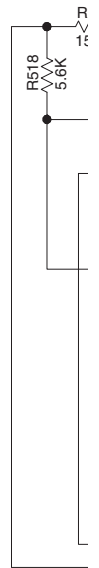

Parts are safety assurance parts.
 When replacing those parts make
 sure to use the specified one.

OR.
OR.

APACITANCE (uF)/RATED VOLTAGE (V)

■ Function section (for KD-G427)

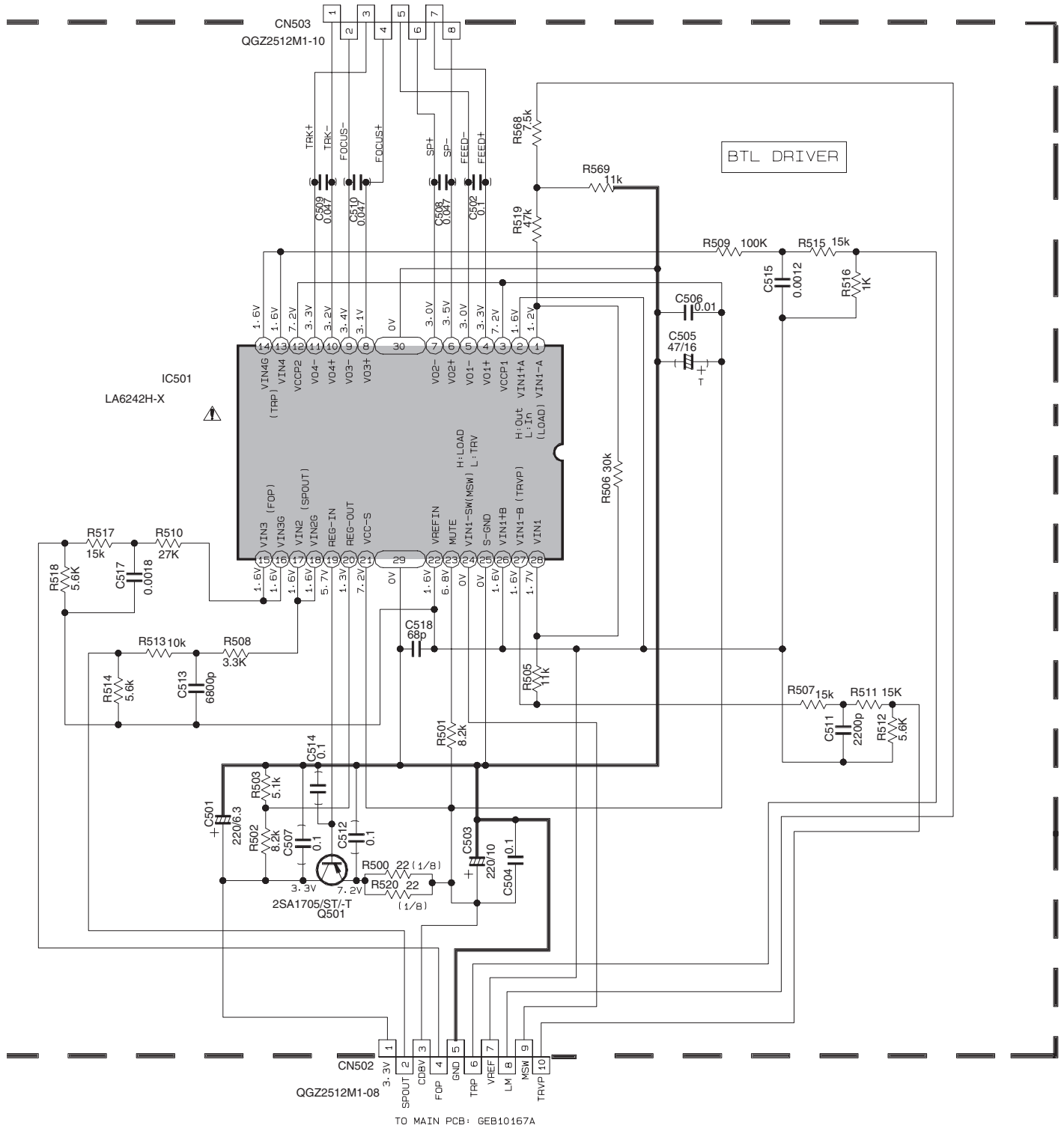
FUNCTION PWB : GEB10180A



NOTES:

1. VOLTAGE ARE DC-MEASURED WITH A DIGITAL VOLTMETER WITHOUT INPUT SIGNAL CONDITION
--- CD MODE.
2. UNLESS OTHERWISE SPECIFIED.
ALL RESISTOR ARE $1/16W \pm 5\%$ METAL GLAZE RESISTOR.
ALL CAPACITOR ARE 50V OR 25V CERAMIC CAPACITOR.
ALL RESISTANCE VALUES ARE IN OHM
ALL CAPACITANCE VALUES ARE IN μF (p=pF).
ALL INDUCTANCE VALUES ARE IN μH
ALL E. CAPACITORS ARE SHOWN IN THE FORM OF CAPACITANCE(μF)/RATED VOLTAGE(V)

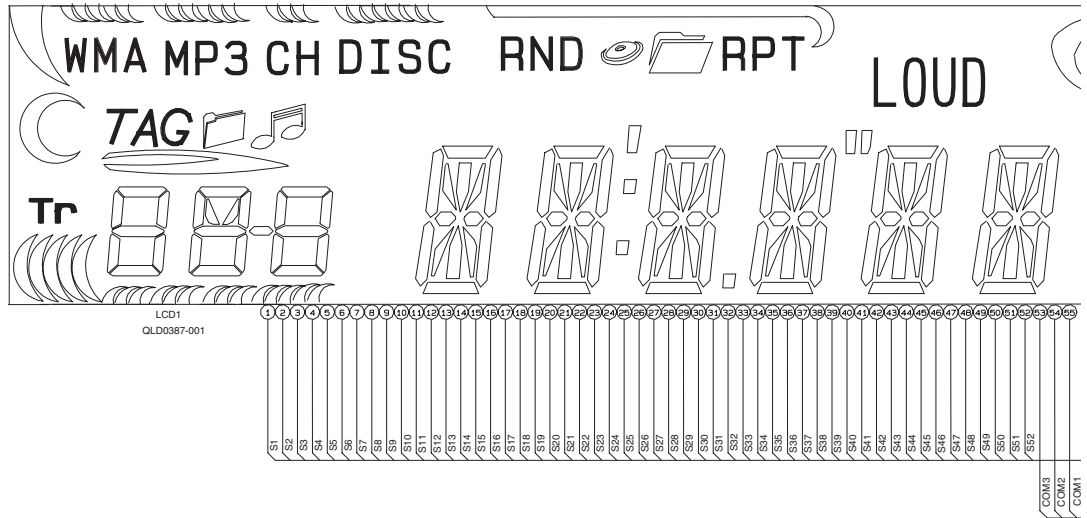
TO MAIN PCB: GEB10167A



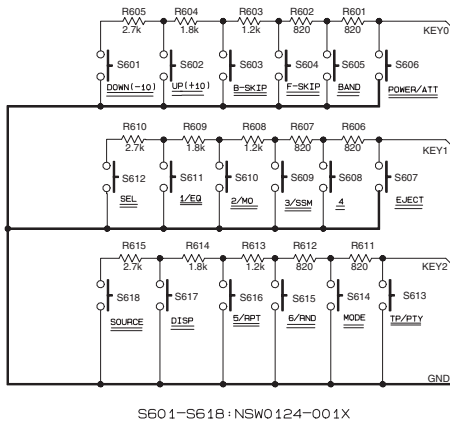
⚠ Parts are safety assurance parts.
When replacing those parts make
sure to use the specified one.

■ LCD & Key control section (for KD-G427)

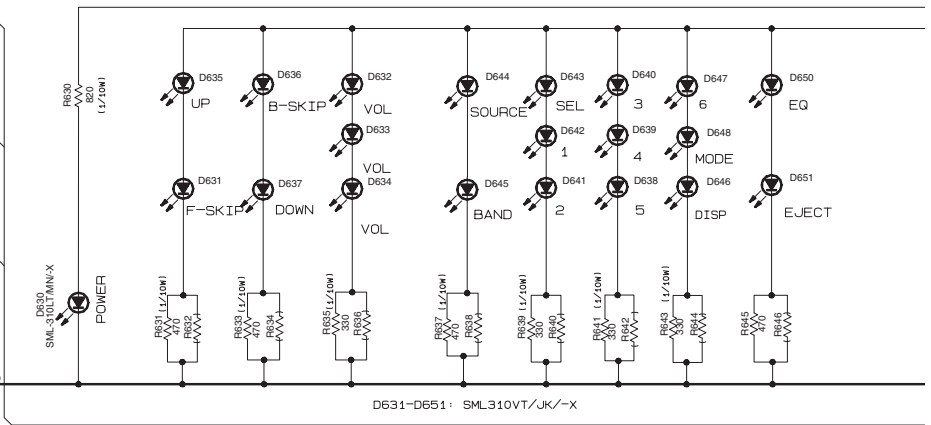
LCD DISPLAY



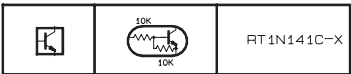
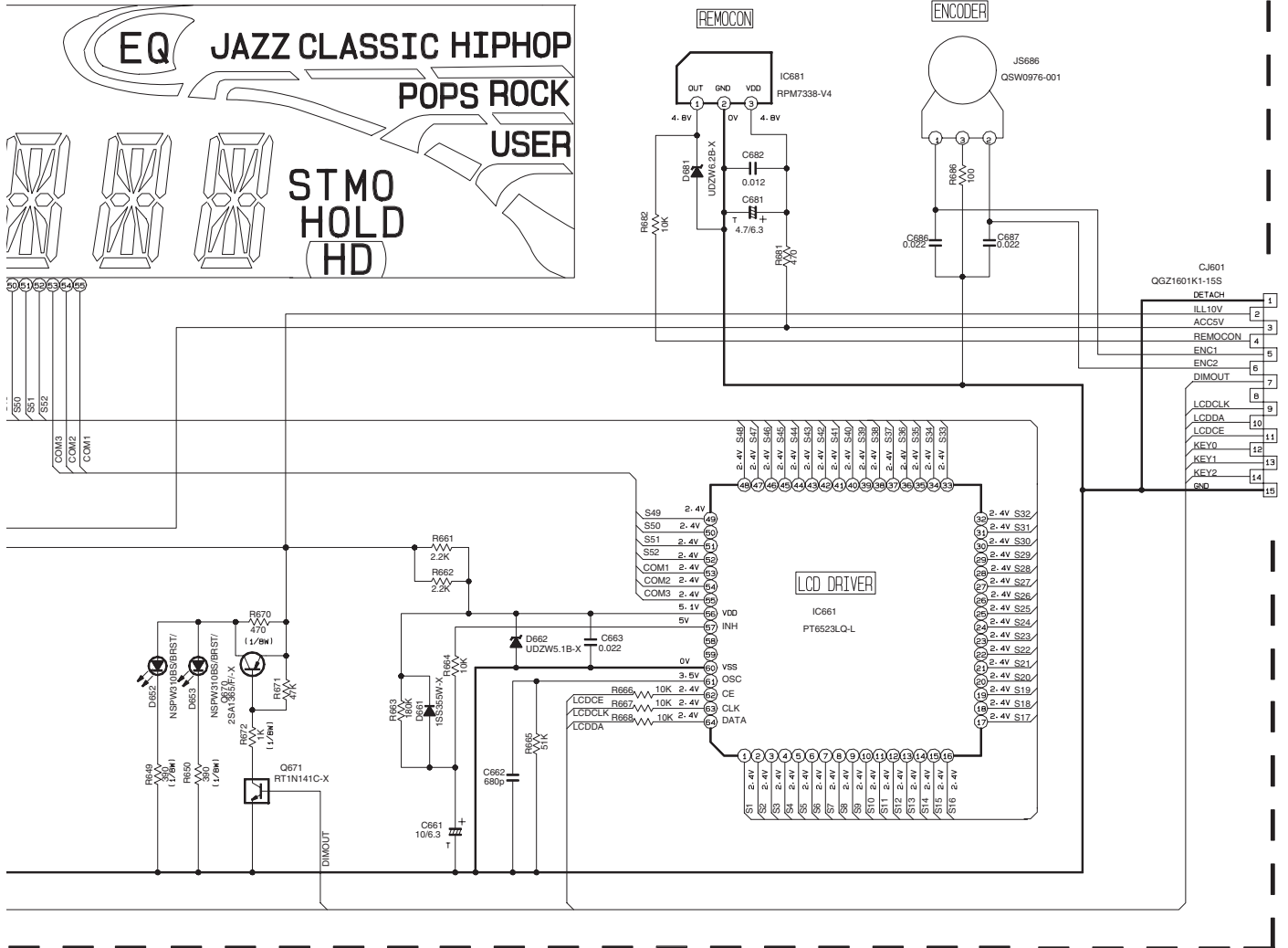
KEY MATRIX



LIGHTING DISPLAY



SW PWB : GEB10175A



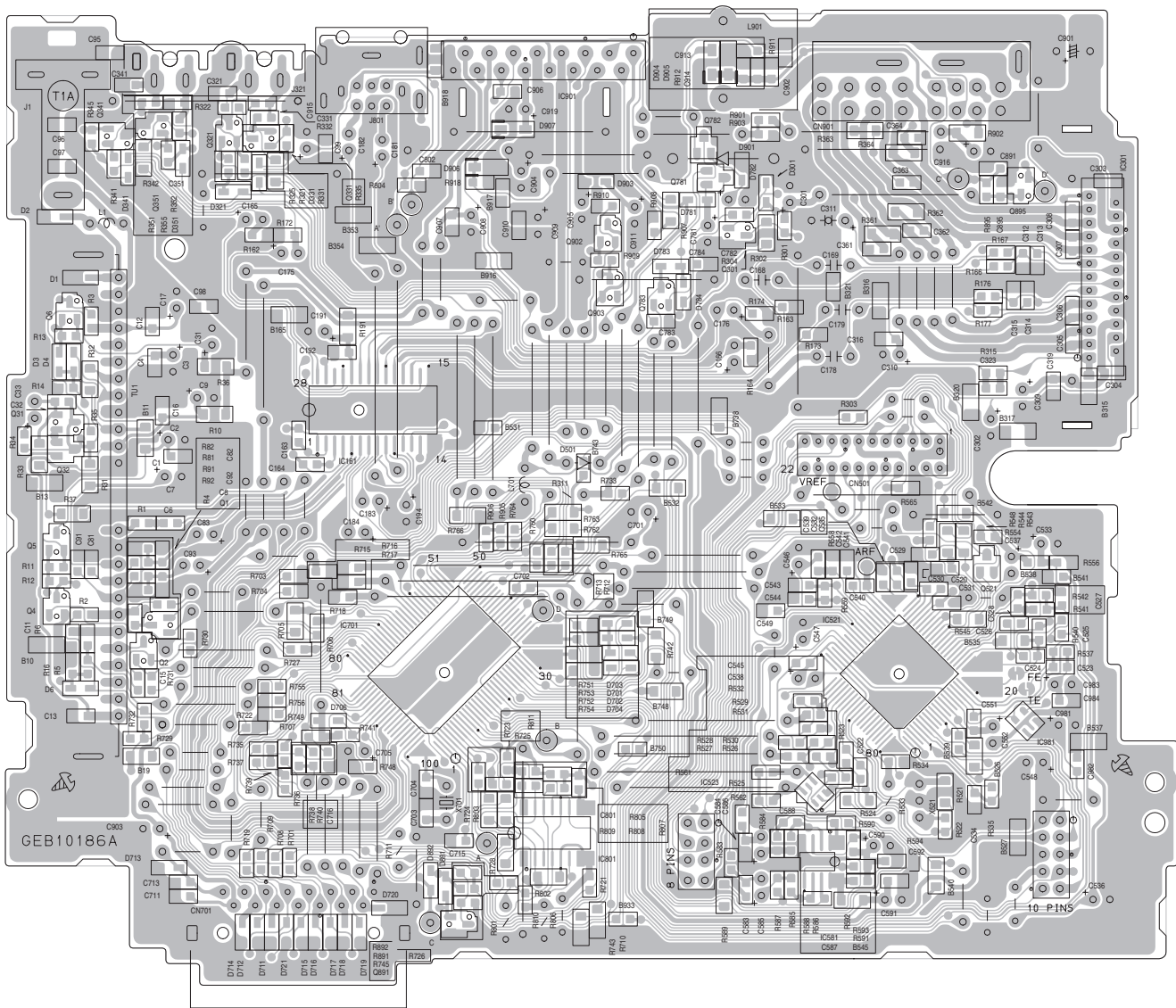
NOTES

- VOLTAGES ARE DC-MEASURED WITH A DIGITAL VOLT METER WITHOUT INPUT SIGNAL.
- UNLESS OTHERWISE SPECIFIED.
ALL RESISTORS ARE 1/16W 15% METAL GLAZE RESISTOR.
ALL CAPACITORS ARE 50V OR 25V CERAMIC CAPACITOR.
ALL RESISTANCE VALUES ARE IN OHM.
ALL CAPACITANCE VALUES ARE IN uF(P=pF)
ALL E. CAPACITORS ARE SHOWN IN THE FORM OF CAPACITANCE(uF)/RATED VOLTAGE(V)
T --- TANTAL CAPACITOR.
- COMPONENTS IN () INDICATE NOT USE.

Printed circuit boards

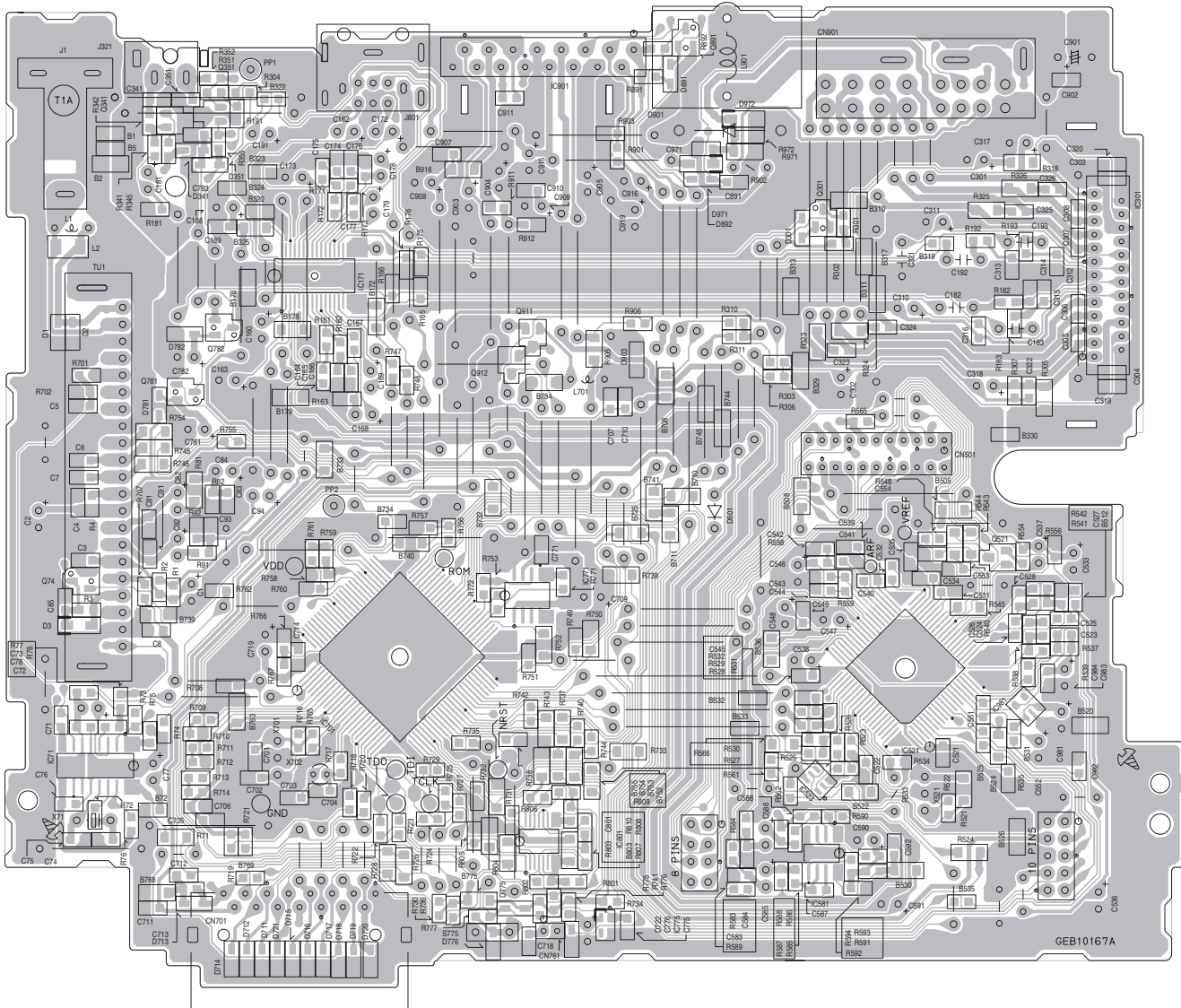
■ Main board (except KD-G421, KD-G427)

Lead free solder used in the board (material : Sn-Ag-Cu, melting point : 219 Centigrade)



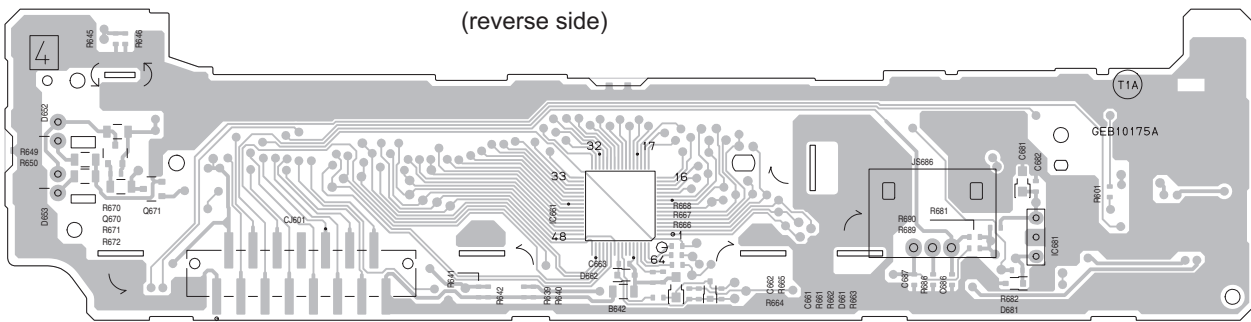
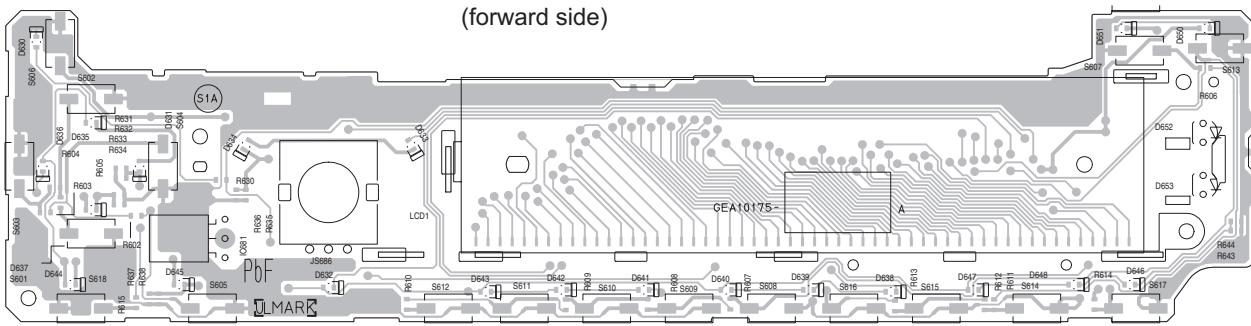
■ Main board (for KD-G421,KD-G427)

Lead free solder used in the board (material : Sn-Ag-Cu, melting point : 219 Centigrade)



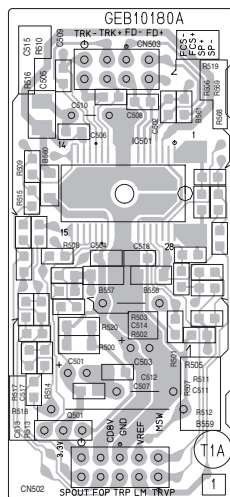
■ Switch board (common)

Lead free solder used in the board (material : Sn-Ag-Cu, melting point : 219 Centigrade)



■ Function board (common)

Lead free solder used in the board (material : Sn-Ag-Cu, melting point : 219 Centigrade)



< MEMO >

JVC

Victor Company of Japan, Limited

Mobile Entertainment Business Group Mobile Entertainment Category 10-1, 1chome, Ohwatari-machi, Maebashi-city, 371-8543, Japan

(No.MA245SCH)



Printed in Japan
VPT